



# STAINLESS STEEL



**ACTUATORS & VALVE POSITION  
INDICATING DEVICES**

# Versatile for any Environment

*The New UniTorq Stainless Steel A Series Stainless Steel Actuator offers the utmost corrosion solution to your most aggressive actuator environments.*

*When standard anodized, painted or nickel impregnated actuators will not protect your actuator for its life cycle, UniTorq introduces a complete Stainless Steel rack and pinion actuator to solve industries most demanding applications.*



*The new Stainless A Series Actuator is available in seven sizes in both Double Acting and Spring Return configurations.*

*The UniTorq A Series actuator comes standard with ISO 5211 dimensions and Namur accessory mounting and also is offered with the UniTorq Standard 2 year, 2 million cycles in service warranty.*

## OUTPUT TORQUE OF ALPHA A SERIES PNEUMATIC ACTUATOR WITH DOUBLE ACTING (In-Lbs)

Model	Air Pressure (PSI)									
	29	36	44	58	65	73	80	87	102	116
A-10DA	53	67	81	107	120	134	147	160	187	214
A-30DA	126	158	189	251	283	314	346	377	440	503
A-73DA	273	341	409	545	614	682	750	819	955	1091
A-148DA	582	727	873	1165	1310	1455	1601	1746	2037	2328
A-295DA	907	1134	1361	1814	2041	2268	2495	2721	3175	3629
A-470DA	1552	1941	2328	3105	3493	3881	4269	4657	5433	6209
A-586DA	2366	2957	3549	4731	5322	5914	6506	7097	8275	9462

## OUTPUT TORQUE OF UNITORQ A SERIES PNEUMATIC ACTUATOR WITH SPRING RETURN (UNIT: In-Lbs)

Air Pressure (PSI)

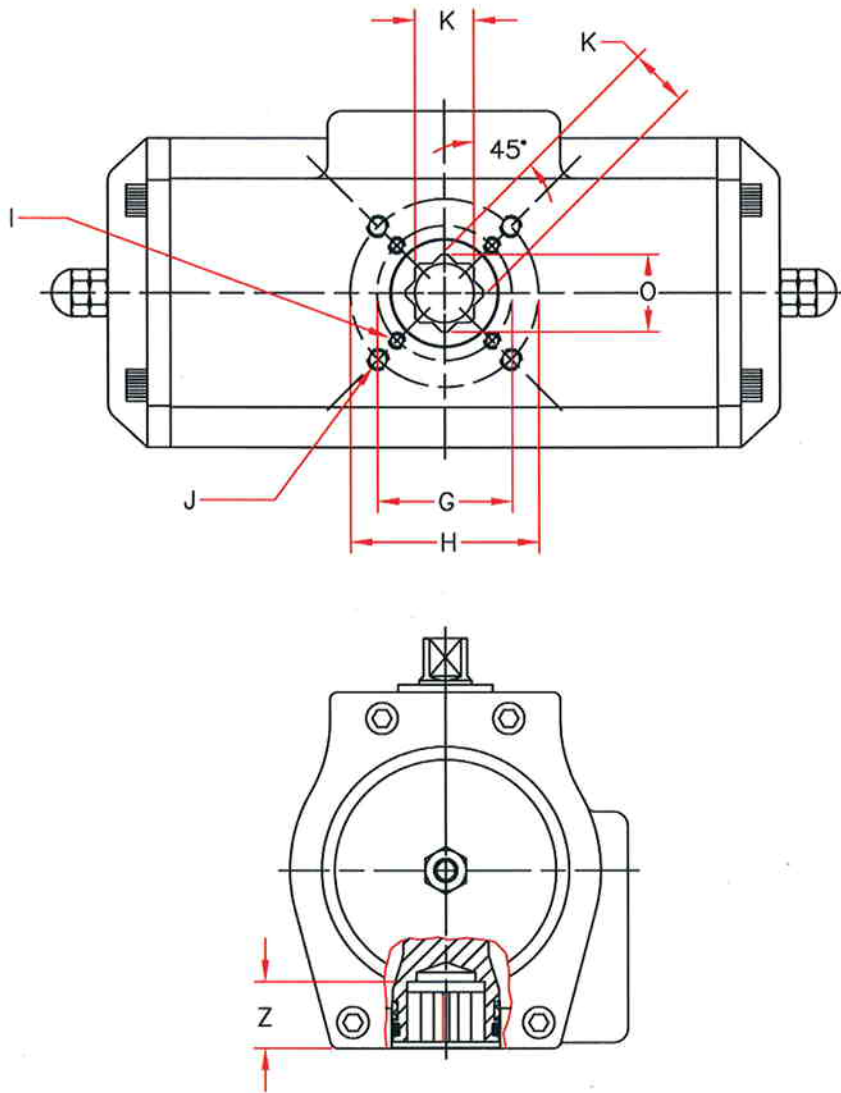
Model	Spring Q.ty	29		36.25		43.5		58		72.5		87		101.5		116		Springs output			
		0°	90°	0°	90°	0°	90°	0°	90°	0°	90°	0°	90°	0°	90°	0°	90°	0°	90°	Start	End
		Start	End	Start	End	Start	End	Start	End	Start	End	Start	End	Start	End	Start	End	Start	End	Start	End
A-10SR	5	26.6	10.6	40.7	24.8															26	41
	6	20.4	1.8	34.5	15.9	47.8	29.2													31	49
	7			29.2	7.1	42.5	20.4	69	46.9											36	58
	8					37.2	11.5	63.7	38.1	90.3	64.6									41	65
	9								58.4	30.1	85	56.6	111.5	83.2						46	73
	10								53.1	21.2	79.7	47.8	106.2	74.3	132.8	100.9	160.2	128.3		51	81
	11										74.3	38.9	100.9	65.5	127.4	92	154.9	119.5		57	89
	12										69	31	95.6	57.5	122.1	84.1	149.6	111.5		62	98
	5	62	28.3	93.8	60.2															60	92
	6	49.6	8.9	81.4	40.7	112.4	71.7													73	111
	7			68.1	21.2	99.1	52.2	162	115.1											85	129
	8					86.7	32.7	149.6	95.6	212.4	158.4									96	148
9							136.3	76.1	199.1	138.9	262	201.8							109	166	
10							123.9	56.6	186.7	119.5	249.6	182.3	312.4	245.1	375.2	308			121	185	
11									174.3	100	237.2	162.8	300	225.7	362.9	288.5			133	203	
12									161.1	80.5	223.9	144.3	286.7	206.2	349.6	269			145	221	
5	125.7	58.4	193.8	126.6															140	204	
6	95.6	15	163.7	83.2	231.9	151.3													168	244	
7			134.5	40.7	202.7	108.9	339	245.1											196	285	
8					173.5	65.5	309.8	201.8	446.9	339									224	326	
9							279.7	159.3	416.8	296.5	553.1	432.8							252	366	
10							250.5	116.8	387.6	254	523.9	390.3	660.2	526.6	796.5	662.9			280	407	
11									358.4	210.6	494.7	346.9	631	483.2	767.3	619.5			308	448	
12									328.3	168.2	464.6	304.4	600.9	440.7	737.2	577			336	489	
5	287.6	123.9	432.8	269															280	435	
6	228.3	31.9	375.5	177	519.5	323													336	523	
7			315.1	85.8	461.1	231.9	752.3	523											392	610	
8					401.8	139.8	693	431	983.2	721.3									448	696	
9							629.2	339.8	924.8	630.1	1216	921.3							504	784	
10							575.3	247.8	865.5	538.1	1156.7	829.2	1447.9	1120.4	1739	1411.6			560	871	
11									806.2	446	1097.4	737.2	1388.6	1028.4	1679.7	1319.5			616	958	
12									747.8	354.9	1039	646.1	1330.2	937.2	1621.3	1228.4			672	1045	
5	423.9	181.4	645.2	402.7															464	694	
6	326.6	35.4	547.8	256.7	777.9	486.8													556	833	
7			449.6	110.6	679.7	340.7	1131	792.1											649	971	
8					582.3	194.7	1033.7	646.1	1485	1097.4									742	1110	
9							936.3	500	1387.7	951.4	1847.9	1411.6							834	1249	
10							839	354	1290.3	805.4	1750.5	1265.6	2201.9	1716.9	2653.2	2168.3			927	1388	
11									1193	659.3	1653.2	1119.5	2104.5	1570.9	2555.9	2022.2	1020	1526			
12									1094.7	513.3	1554.9	973.5	2006.3	1424.9	2457.6	1876.2	1112	1665			
5	749.6	347.8	1139	737.2															759	1142	
6	589.4	107.1	978.8	496.5	1368.2	885.9													911	1370	
7			819.5	256.7	1208.9	646.1	1987.7	1424.9											1063	1597	
8					1048.7	405.3	1827.5	1184.1	2606.3	1962.9									1215	1826	
9							1668.2	944.3	2447	1723.1	3217	2493							1366	2054	
10							1508	703.6	2286.8	1482.4	3056.8	2252.3	3835.6	3031.1	4614.4	3809.9	1519	2282			
11									2126.7	1242.5	2896.6	2012.5	3675.4	2791.3	4454.2	3570.1	1670	2511			
12									1967.4	1001.8	2737.3	1771.8	3516.1	2550.6	4294.9	3329.4	1822	2739			
5	1062	422.1	1655	1015.1															1236	1843	
6	801.8	34.5	1394.8	627.5	1987.7	1220.4													1487	2213	
7			1134.6	239	1727.5	831.9	2913.4	2017.8											1735	2584	
8					1467.3	444.3	2653.2	1630.2	3830.3	2807.2									1974	2947	
9							2393	1241.7	3570.1	2418.7	4756	3604.6							2221	3319	
10							2132.9	853.1	3309.9	2031.1	4495.8	3217	5672.9	4394	6858.8	5579.9	2469	3690			
11									3049.7	1642.6	4235.6	2828.5	5412.7	4005.5	6598.6	5191.4	2717	4053			
12									2789.5	1254	3975.4	2439.9	5152.5	3617	6338.4	4537.4	2965	4425			

### A SERIES ACTUATOR DIMENSIONS TABLE

Unit (mm)

Model	A	B	C	D	E	F	G	H	I	J	K	L1	L2	M	N	Z	Air Connection
A-10	42	64	35	65	85	23	Φ36	Φ50	M5x8	M6x10	11	147	180	16	80	14	1/4"G
A-30	48.5	74	39	81	101	23		Φ50		M6x10	14	146	180	16	80	18	1/4"G
A-73	66	101	52	108	128	24	Φ50	Φ70	M6x10	M8x13	17	198	213	16	80	21	1/4"G
A-148	80	118	60	133	153	24		Φ70		M8x13	22	251	266	16	80	26	1/4"G
A-295	100	138	69	155	185	28	Φ70	Φ102	M8x13	M10x16	22	242	298	22	130	26	1/4"G
A-470	115	153	77	171	201	34	Φ102	Φ125	M10x16	M12x20	27	358	368	22	130	31	1/4"G
A-586	132	174	87	197	227	39	Φ102	Φ125	M10x16	M12x20	27	325	375	22	130	31	1/4"G

Remark: L1, L2 Dimensions are for the double acting and spring return respectively.



DRIVE DIMENSIONS

SIZE	ISO SQUARE 8-POINT			
	K mm	K in.	øO	Z
A10	11	.433	.56	.55
A30	14	.551	.71	.71
A73	17	.669	.87	.83
A148	22	.866	1.13	1.02
A295	22	.866	1.13	1.02
A470	27	1.063	1.39	1.22
A586	27	1.063	1.39	1.22
A900	36	1.417	1.91	1.97
A1213	36	1.417	1.91	1.97

MOUNTING DIMENSIONS

SIZE	ISO	
	G	H
A10	F03	F05
A30		F05
A73	F05	F07
A148		F07
A295	F07	F10
A470	F10	F12
A586	F10	F12
A900		F14
A1213		F14

ISO MOUNTING PATTERN TABLE

ISO	øG/H		THREAD
	in.	mm	
F03	1.417	36	M5X8
F05	1.969	50	1/4-20UNC
F07	2.756	70	5/16-18UNC
F10	4.016	102	3/8-16UNC
F12	4.921	125	1/2-13UNC
F14	5.512	140	5/8-11UNC

*Please contact your local UniTorq distributor  
for further information.*



2150 Boggs Road, Suite 410 Duluth, Georgia 30096 Phone: (770) 446-7074 Fax: (770) 447-1825

Visit us online at [www.unitorq.com](http://www.unitorq.com)