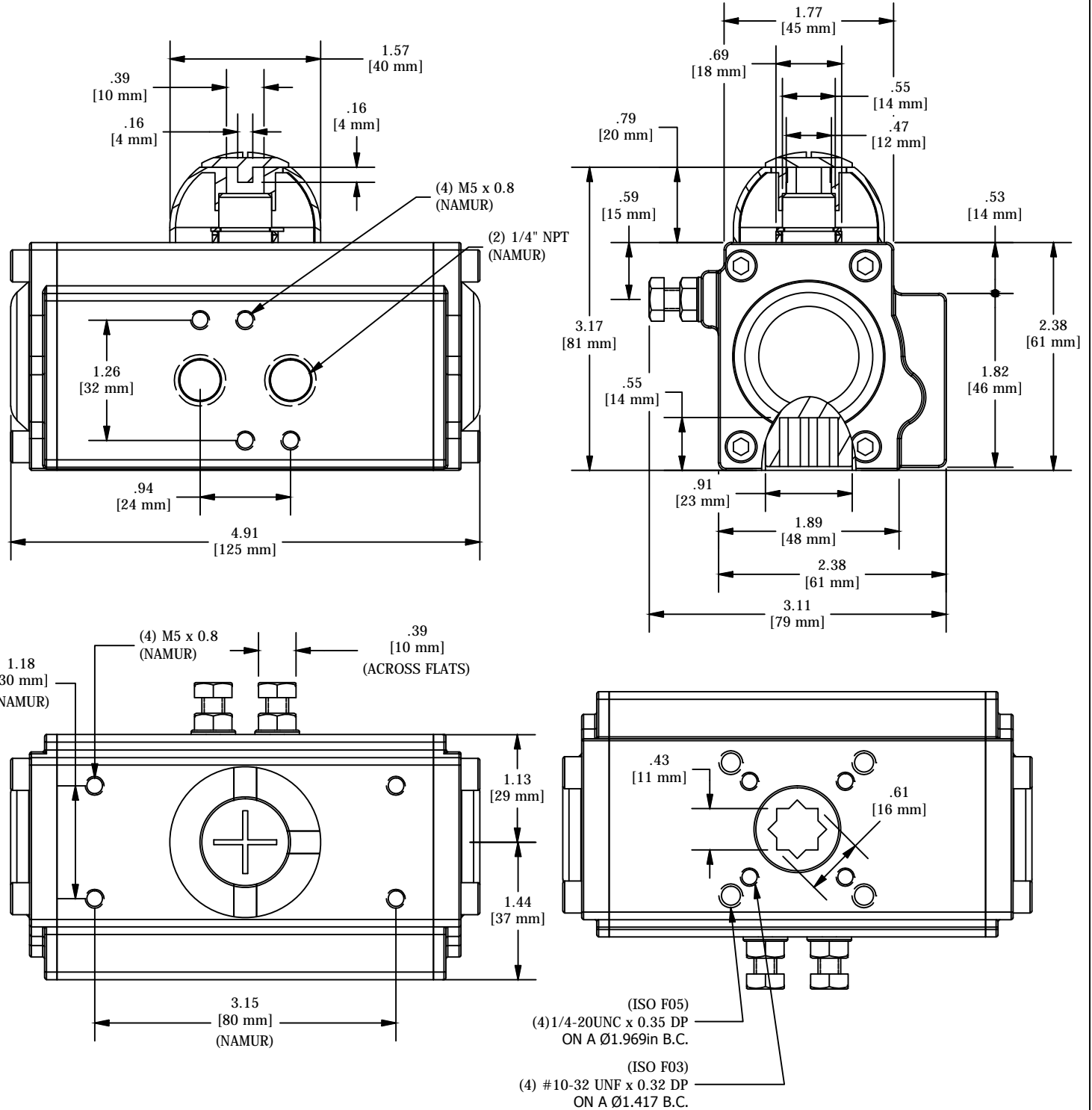


PRODUCT INFORMATION

ACT. SIZE: 10
 DIMENSIONS FOR DOUBLE ACTING ONLY

WEIGHT: 2.00lbs
 AIR CONSUMPTION: 0.16N.lit/cycle

M Series Double Acting Torques (in-lbs)										
UniTorq Size	Air Supply Pressure									
	30PSI	40PSI	50PSI	60PSI	70PSI	80PSI	90PSI	100PSI	110PSI	120PSI
M10	42	57	71	85	99	113	127	141	155	170



DESCRIPTION

UNITORQ ACTUATORS
"M" SERIES, SIZE 10
ENVELOPE DIMENSIONS &
NAMUR MOUNTING PATTERNS

NOTICE:

THIS DRAWING INCLUDES THE DESIGN AND PRINCIPLES DISCLOSED AND IS THE SOLE PROPERTY OF UNITORQ AND ITS AFFILIATES. IT SUBMITTED WITH THE UNDERSTANDING THAT IT IS NOT TO BE REPRODUCED, NOR COPIED IN WHOLE OR IN PART, NOR LOANED OR OTHERWISE COMMUNICATED TO ANY THIRD PARTY, NOR USED IN ANY MANNER DETRIMENTAL TO THE INTERESTS OF UNITORQ OR ANY OF ITS AFFILIATES WITHOUT THE EXPRESSED WRITTEN CONSENT OF UNITORQ. ACCEPTANCE OF THIS DRAWING WILL BE CONSTRUED AS AN AGREEMENT TO THE ABOVE.



2150 Boggs Road, Suite 410
 DULUTH, GEORGIA U.S.A. 30096
 Ph: 770-446-7074
 Fax: 770-447-1825
 www.untorq.com

PRODUCT: ACTUATOR	PART NUMBER:	SALES DRAWING NUMBER: M10-Layout-Tq	DWN BY: PMK	DATE: 09/18/2014	SCALE: 1:1.5	REV. 0
-----------------------------	--------------	---	-----------------------	----------------------------	------------------------	------------------