

PRODUCT INFORMATION

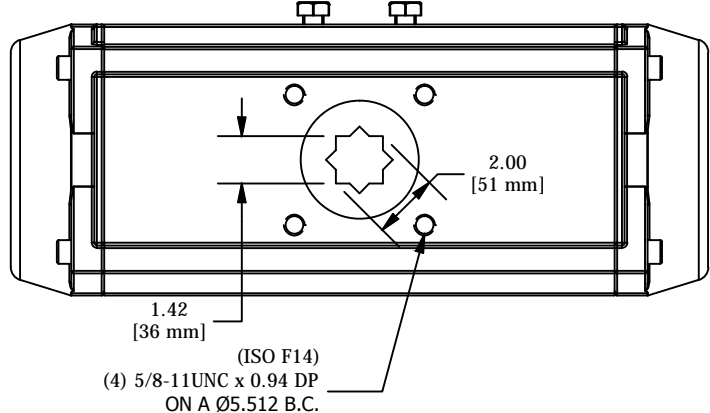
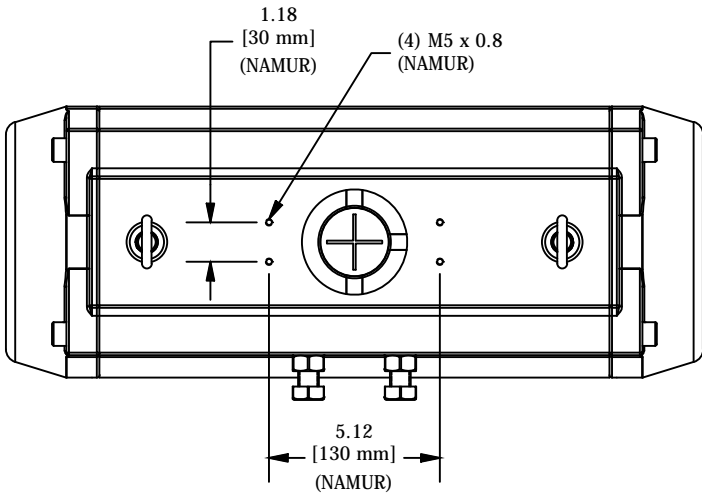
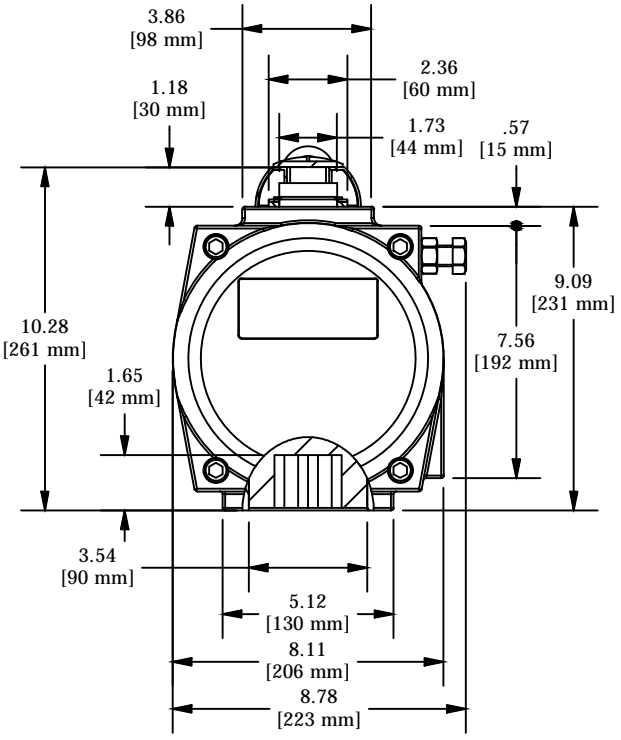
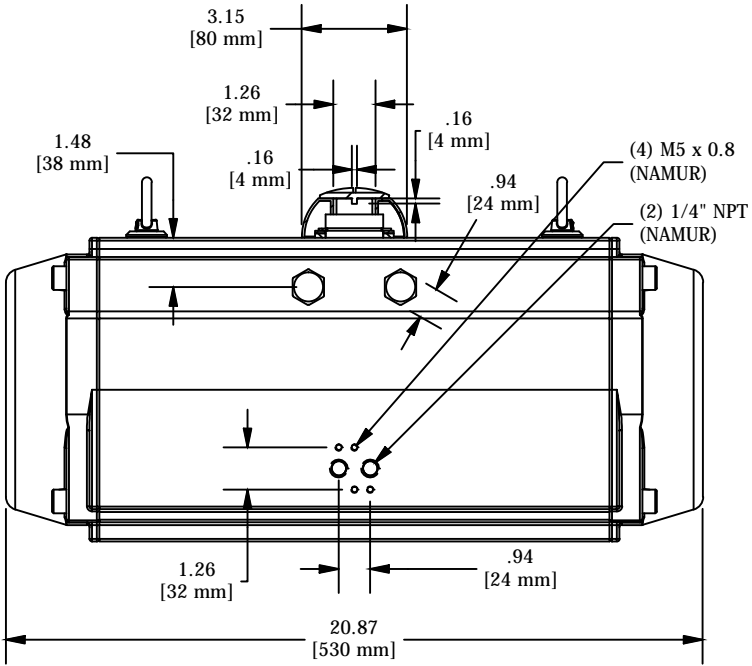
ACT. SIZE:1009

DIMENSIONS FOR DOUBLE ACTING AND SPRING RETURN ARE IDENTICAL

WEIGHT: 72.45lbs + (K x 1.05lbs)
 K=2, 4...12 (K=0 FOR DA)
 AIR CONSUMPTION: 13.53 N.l/cycle

		Spring Return Torques (in-lbs)										Actuator Spring Torques	
UniTorq Size	Spring Designation	Actuator Air Torques											
		40PSI		60PSI		80PSI		100PSI		120PSI			
		Start	End	Start	End	Start	End	Start	End	Start	End	Start	End
1009	K11	4376	3998	6901	6523	9426	9047	11950	11572	14475	14097	1051	673
	K22	3703	2947	6228	5471	8753	7996	11277	10521	13802	13045	2103	1346
	K33	3030	1895	5555	4420	8080	6945	10604	9469	13129	11994	3154	2019
	K44	2357	844	4882	3368	7406	5893	9931	8418	12456	10943	4206	2692
	K55	-	-	4209	2317	6733	4842	9258	7366	11783	9891	5257	3366
	K66	-	-	3535	1266	6060	3790	8585	6315	11110	8840	6308	4039

		Double Acting Torques (in-lbs)									
UniTorq Size		Air Supply Pressure									
		30PSI	40PSI	50PSI	60PSI	70PSI	80PSI	90PSI	100PSI	110PSI	120PSI
1009		3787	5049	6312	7574	8836	10099	11361	12624	13886	15148



DESCRIPTION
UNITORQ ACTUATORS
"M" SERIES, SIZE 1009
ENVELOPE DIMENSIONS &
NAMUR MOUNTING PATTERNS

NOTICE:
 THIS DRAWING INCLUDES THE DESIGN AND PRINCIPLES DISCLOSED AND IS THE SOLE PROPERTY OF UNITORQ AND ITS AFFILIATES. IT SUBMITTED WITH THE UNDERSTANDING THAT IT IS NOT TO BE REPRODUCED, NOR COPIED IN WHOLE OR IN PART, NOR LOANED OR OTHERWISE COMMUNICATED TO ANY THIRD PARTY, NOR USED IN ANY MANNER DETRIMENTAL TO THE INTERESTS OF UNITORQ OR ANY OF ITS AFFILIATES WITHOUT THE EXPRESSED WRITTEN CONSENT OF UNITORQ. ACCEPTANCE OF THIS DRAWING WILL BE CONSTRUED AS AN AGREEMENT TO THE ABOVE.



2150 Boggs Road, Suite 410
 DULUTH, GEORGIA U.S.A. 30096
 Ph: 770-446-7074
 Fax: 770-447-1825
 www.unitorq.com

PRODUCT: ACTUATOR	PART NUMBER:	SALES DRAWING NUMBER: M1009-Layout-Tq	DWN BY: PMK	DATE: 06/09/2014	SCALE: 1:5.75	REV. 0
-----------------------------	--------------	---	-----------------------	----------------------------	-------------------------	------------------