

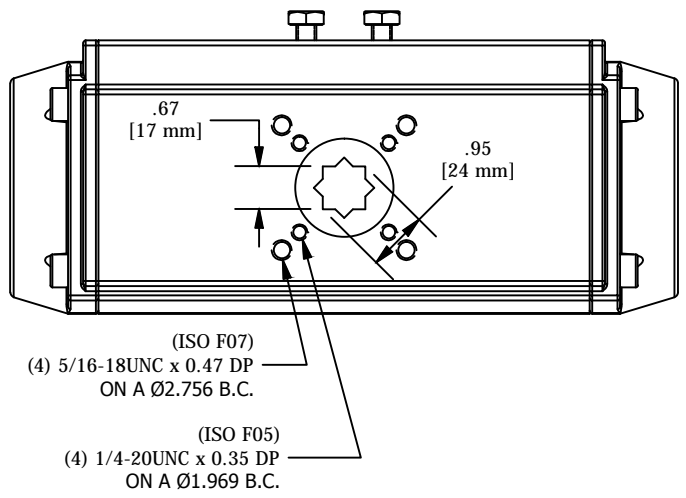
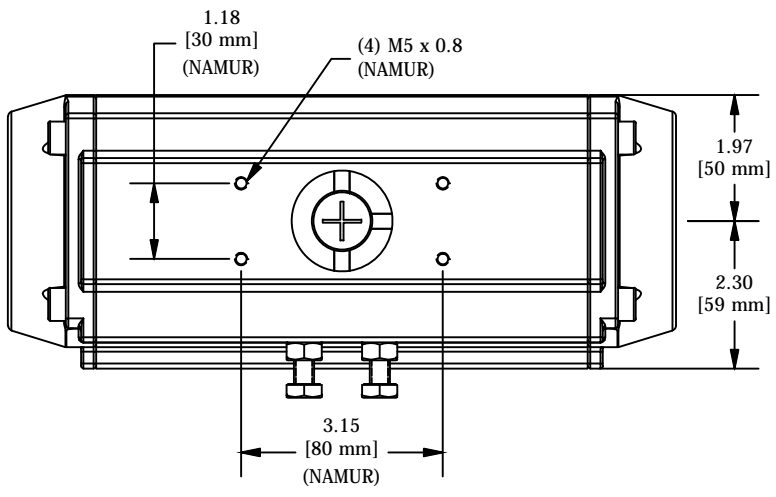
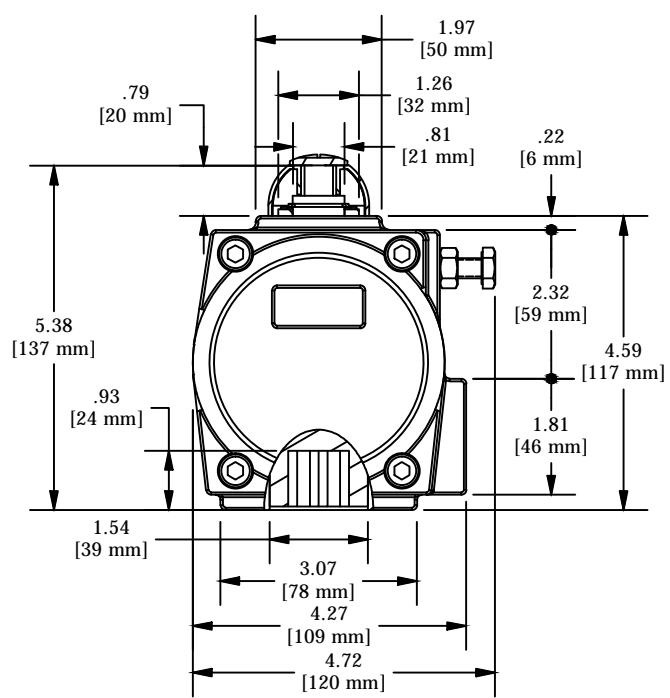
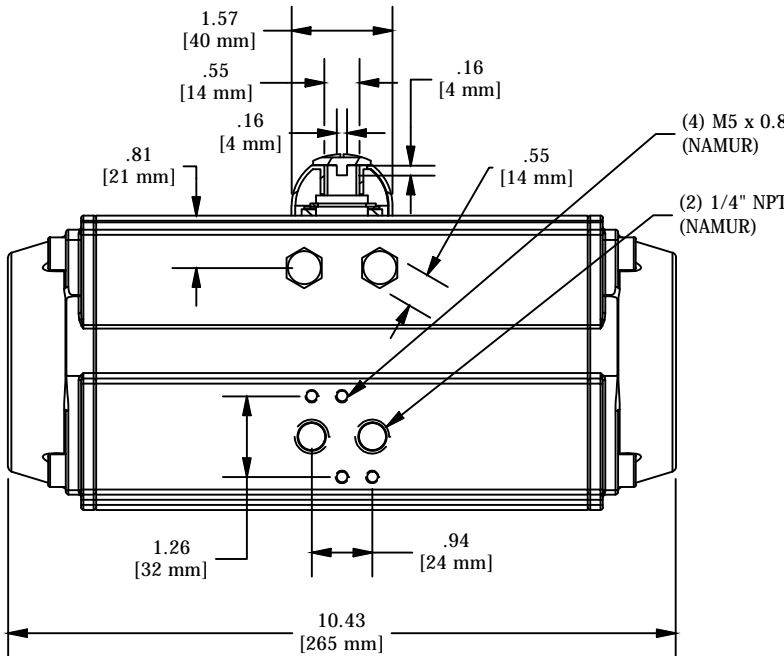
PRODUCT INFORMATION
ACT. SIZE: 105

DIMENSIONS FOR DOUBLE ACTING
AND SPRING RETURN ARE IDENTICAL

WEIGHT: 10.45lbs + (K x 0.15lbs)
K=2, 4, ... 12 (K=0 FOR DA)
AIR CONSUMPTION: 1.43N.lt/cycle

		Spring Return Torques (in-lbs)											
UniTorq Size	Spring Designation	Actuator Air Torques										Actuator Spring Torques	
		40PSI		60PSI		80PSI		100PSI		120PSI			
		Start	End	Start	End	Start	End	Start	End	Start	End	Start	End
105	K11	460	421	729	690	998	960	1267	1229	1536	1498	117	79
	K22	381	304	650	573	919	843	1189	1112	1458	1381	234	157
	K33	303	187	572	456	841	726	1110	995	1379	1264	351	236
	K44	224	70	493	339	762	609	1031	878	1301	1147	468	314
	K55	-	-	415	222	684	492	953	761	1222	1030	585	393
	K66	-	-	336	105	605	374	874	644	1143	913	702	471

		Double Acting Torques (in-lbs)									
UniTorq Size		Air Supply Pressure									
		30PSI	40PSI	50PSI	60PSI	70PSI	80PSI	90PSI	100PSI	110PSI	120PSI
105		408	544	680	816	952	1088	1224	1360	1496	1632



DESCRIPTION
UNITORQ ACTUATORS
"M" SERIES, SIZE 105
ENVELOPE DIMENSIONS &
NAMUR MOUNTING PATTERNS

NOTICE:
THIS DRAWING INCLUDES THE DESIGN AND PRINCIPLES DISCLOSED AND IS THE SOLE PROPERTY OF UNITORQ AND ITS AFFILIATES. IT SUBMITTED WITH THE UNDERSTANDING THAT IT IS NOT TO BE REPRODUCED, NOR COPIED IN WHOLE OR IN PART, NOR LOANED OR OTHERWISE COMMUNICATED TO ANY THIRD PARTY, NOR USED IN ANY MANNER DETRIMENTAL TO THE INTERESTS OF UNITORQ OR ANY OF ITS AFFILIATES WITHOUT THE EXPRESSED WRITTEN CONSENT OF UNITORQ. ACCEPTANCE OF THIS DRAWING WILL BE CONSTRUED AS AN AGREEMENT TO THE ABOVE.



2150 Boggs Road, Suite 410
DULUTH, GEORGIA U.S.A. 30096
Ph: 770-446-7074
Fax: 770-447-1825
www.unitorq.com

PRODUCT: ACTUATOR	PART NUMBER:	SALES DRAWING NUMBER: M105-Layout-Tq	DWN BY: PMK	DATE: 5/23/2014	SCALE: 1:3	REV. 0
-----------------------------	--------------	--	-----------------------	---------------------------	----------------------	------------------