

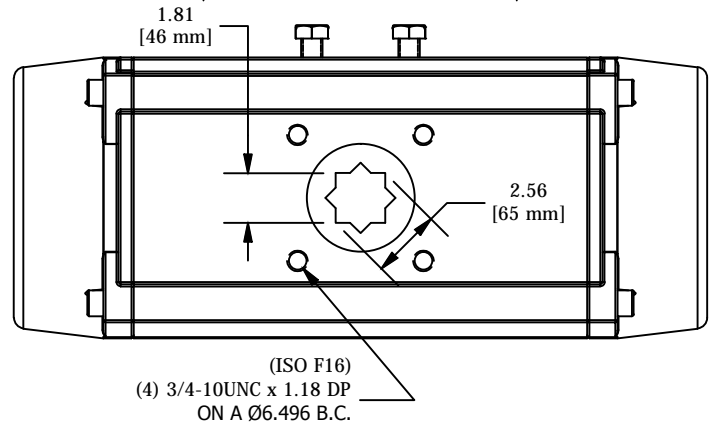
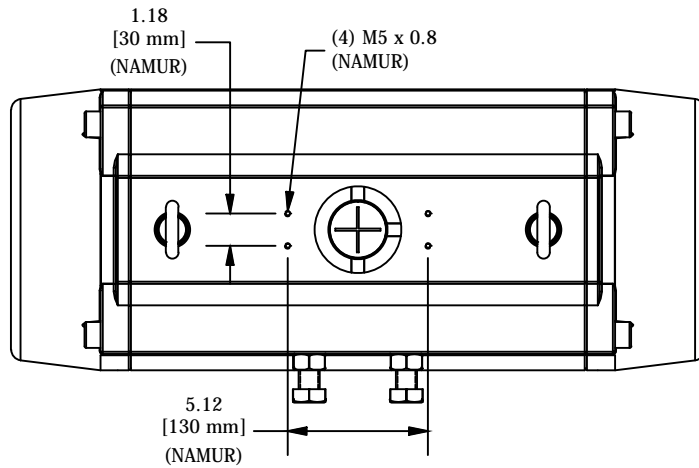
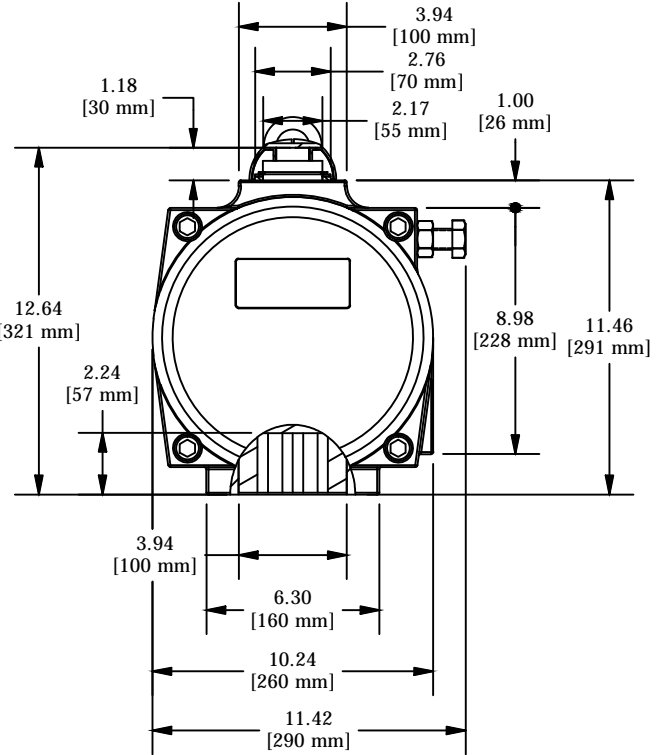
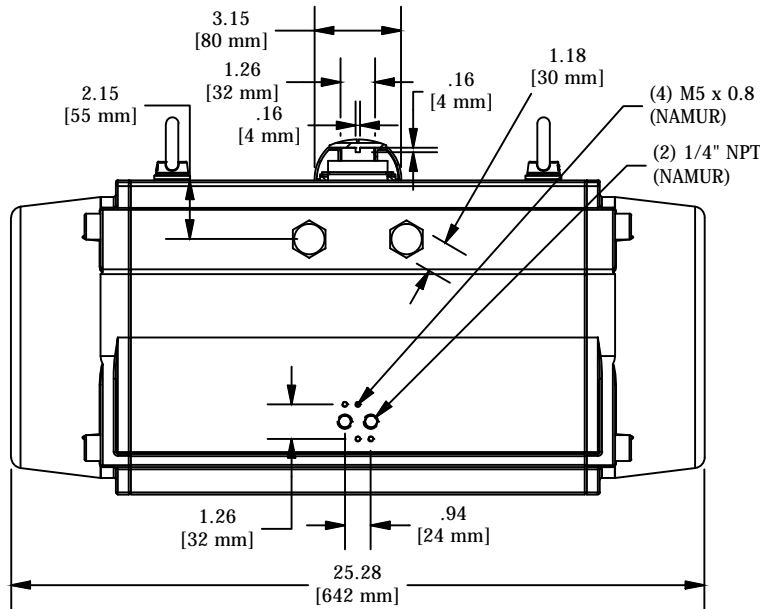
**PRODUCT INFORMATION**  
ACT. SIZE: 1831

DIMENSIONS FOR DOUBLE ACTING  
AND SPRING RETURN ARE IDENTICAL

WEIGHT: 124lbs + (K x 2.50lbs)  
K=2, 4, ...12 (K=0 FOR DA)  
AIR CONSUMPTION: 25.97 N.lit/cycle

		Spring Return Torques (in-lbs)											
UniTorq Size	Spring Designation	Actuator Air Torques										Actuator Spring Torques	
		40PSI		60PSI		80PSI		100PSI		120PSI			
		Start	End	Start	End	Start	End	Start	End	Start	End	Start	End
1831	K11	7729	7185	12285	11741	16840	16296	21396	20852	25951	25407	1926	1382
	K22	6348	5260	10903	9815	15459	14371	20014	18926	24570	23482	3851	2763
	K33	4966	3334	9522	7890	14077	12445	18633	17000	23188	21556	5777	4145
	K44	3585	1408	8140	5964	12696	10519	17251	15075	21807	19630	7703	5526
	K55	-	-	6759	4038	11314	8594	15870	13149	20425	17705	9628	6908
	K66	-	-	5377	2113	9932	6668	14488	11224	19043	15779	11554	8289

		Double Acting Torques (in-lbs)								
UniTorq Size	Air Supply Pressure									
	30PSI	40PSI	50PSI	60PSI	70PSI	80PSI	90PSI	100PSI	110PSI	120PSI
1831	6869	9158	11448	13737	16027	18316	20606	22895	25185	27475



DESCRIPTION  
**UNITORQ ACTUATORS**  
**"M" SERIES, SIZE 1831**  
**ENVELOPE DIMENSIONS &**  
**NAMUR MOUNTING PATTERNS**

NOTICE:  
THIS DRAWING INCLUDES THE DESIGN AND PRINCIPLES DISCLOSED AND IS THE SOLE PROPERTY OF UNITORQ AND ITS AFFILIATES. IT SUBMITTED WITH THE UNDERSTANDING THAT IT IS NOT TO BE REPRODUCED, NOR COPIED IN WHOLE OR IN PART, NOR LOANED OR OTHERWISE COMMUNICATED TO ANY THIRD PARTY, NOR USED IN ANY MANNER DETRIMENTAL TO THE INTERESTS OF UNITORQ OR ANY OF ITS AFFILIATES WITHOUT THE EXPRESSED WRITTEN CONSENT OF UNITORQ. ACCEPTANCE OF THIS DRAWING WILL BE CONSTRUED AS AN AGREEMENT TO THE ABOVE.



2150 Boggs Road, Suite 410  
DULUTH, GEORGIA U.S.A. 30096  
Ph: 770-446-7074  
Fax: 770-447-1825  
www.unitorq.com

PRODUCT: <b>ACTUATOR</b>	PART NUMBER:	SALES DRAWING NUMBER: <b>M1831-Layout-Tq</b>	DWN BY: <b>PMK</b>	DATE: <b>06/11/2014</b>	SCALE: <b>1:7</b>	REV. <b>0</b>
-----------------------------	--------------	---	-----------------------	----------------------------	----------------------	------------------