

PRODUCT INFORMATION

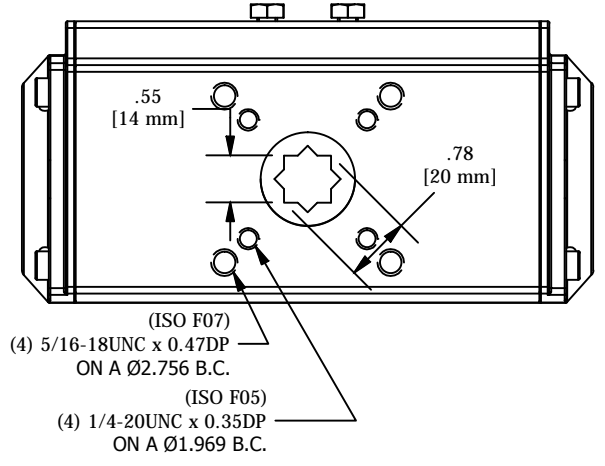
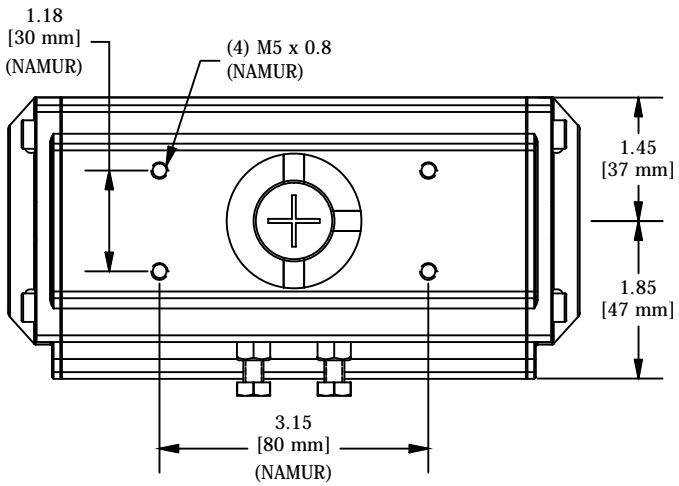
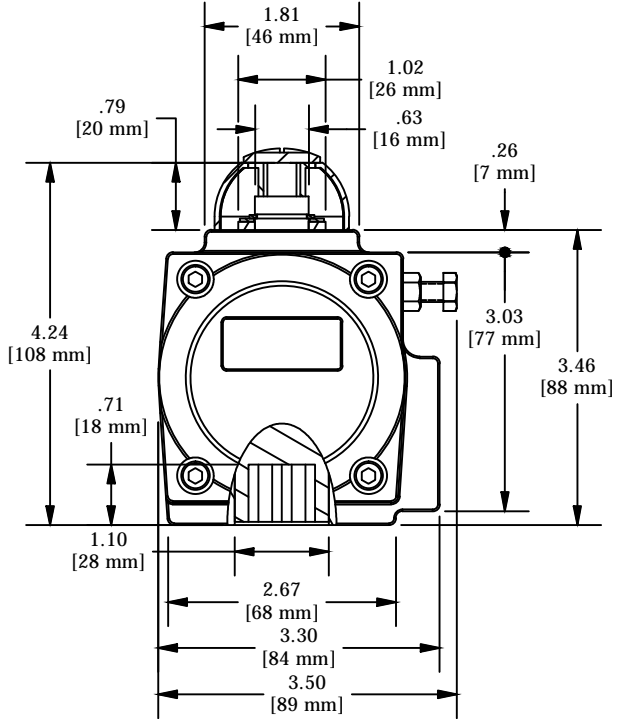
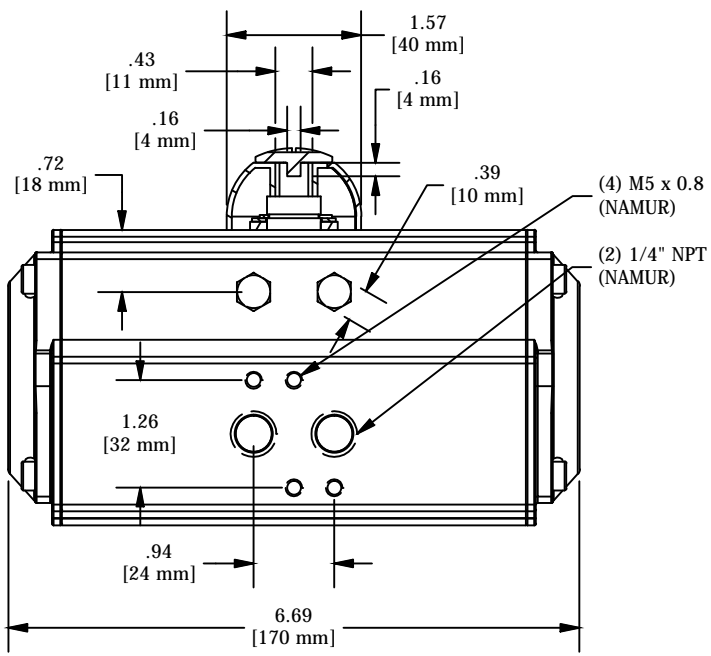
ACT. SIZE:34

DIMENSIONS FOR DOUBLE ACTING AND SPRING RETURN ARE IDENTICAL

WEIGHT: 4.65lbs + (K x 0.04lbs)
 K=2, 4,...12 (K=0 FOR DA)
 AIR CONSUMPTION: 0.40N.lt/cycle

M Series Spring Return Torques (in-lbs)													
UniTorq Size	Spring Designation	Actuator Air Torques										Actuator Spring Torques	
		40PSI		60PSI		80PSI		100PSI		120PSI		Start	End
		Start	End	Start	End	Start	End	Start	End	Start	End		
34	K11	145	133	229	217	314	301	398	385	482	469	36	23
	K22	122	97	206	181	290	265	375	349	459	434	71	46
	K33	99	61	183	145	267	230	352	314	436	398	107	69
	K44	76	26	160	110	244	194	328	278	413	362	143	92
	K55	-	-	137	74	221	158	305	242	390	327	178	115
	K66	-	-	114	39	198	123	282	207	367	291	214	138

M Series Double Acting Torques (in-lbs)										
UniTorq Size	Air Supply Pressure									
	30PSI	40PSI	50PSI	60PSI	70PSI	80PSI	90PSI	100PSI	110PSI	120PSI
34	128	170	213	255	298	340	383	425	468	510



DESCRIPTION
UNITORQ ACTUATORS
"M" SERIES, SIZE 34
ENVELOPE DIMENSIONS &
NAMUR MOUNTING PATTERNS

NOTICE:
 THIS DRAWING INCLUDES THE DESIGN AND PRINCIPLES DISCLOSED AND IS THE SOLE PROPERTY OF UNITORQ AND ITS AFFILIATES. IT IS SUBMITTED WITH THE UNDERSTANDING THAT IT IS NOT TO BE REPRODUCED, NOR COPIED IN WHOLE OR IN PART, NOR LOANED OR OTHERWISE COMMUNICATED TO ANY THIRD PARTY, NOR USED IN ANY MANNER DETRIMENTAL TO THE INTERESTS OF UNITORQ OR ANY OF ITS AFFILIATES WITHOUT THE EXPRESSED WRITTEN CONSENT OF UNITORQ. ACCEPTANCE OF THIS DRAWING WILL BE CONSTRUED AS AN AGREEMENT TO THE ABOVE.



2150 Boggs Road, Suite 410
 DULUTH, GEORGIA U.S.A. 30096
 Ph: 770-446-7074
 Fax: 770-447-1825
 www.unitorq.com

PRODUCT: ACTUATOR	PART NUMBER:	SALES DRAWING NUMBER: M34-Layout-Tq	DWN BY: PMK	DATE: 05/23/2014	SCALE: 1:2.25	REV. 0
-----------------------------	--------------	---	-----------------------	----------------------------	-------------------------	------------------