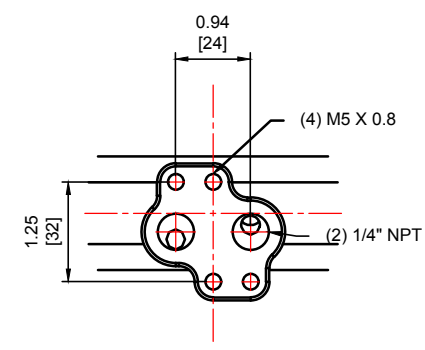
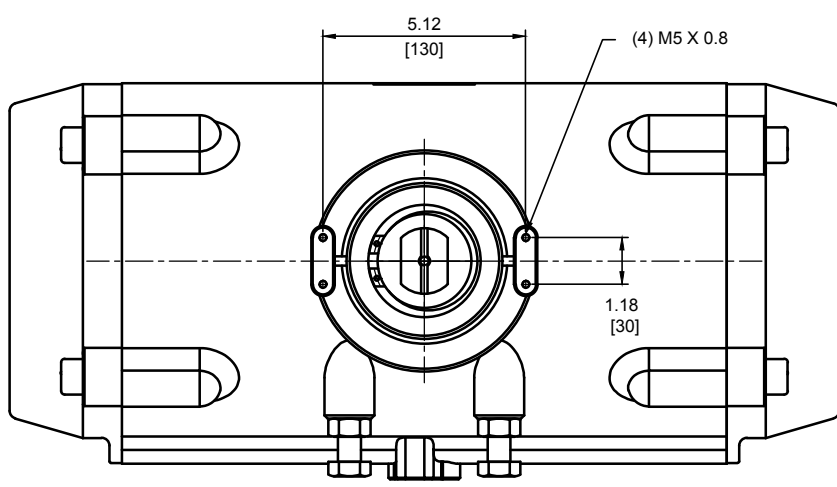
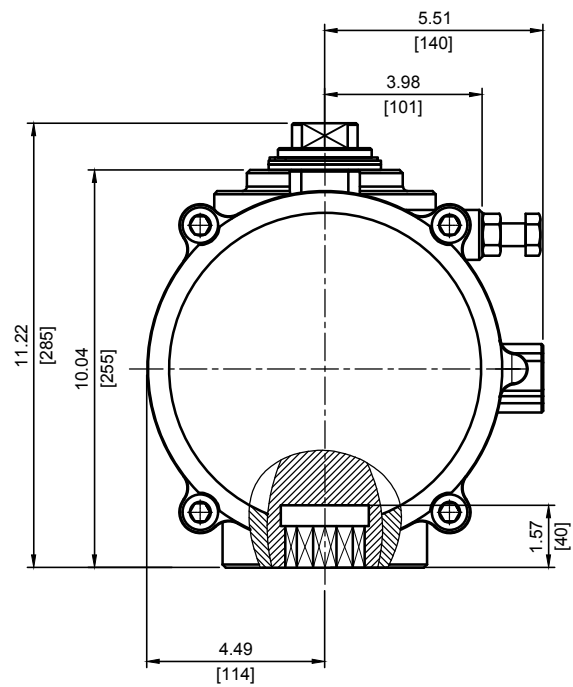
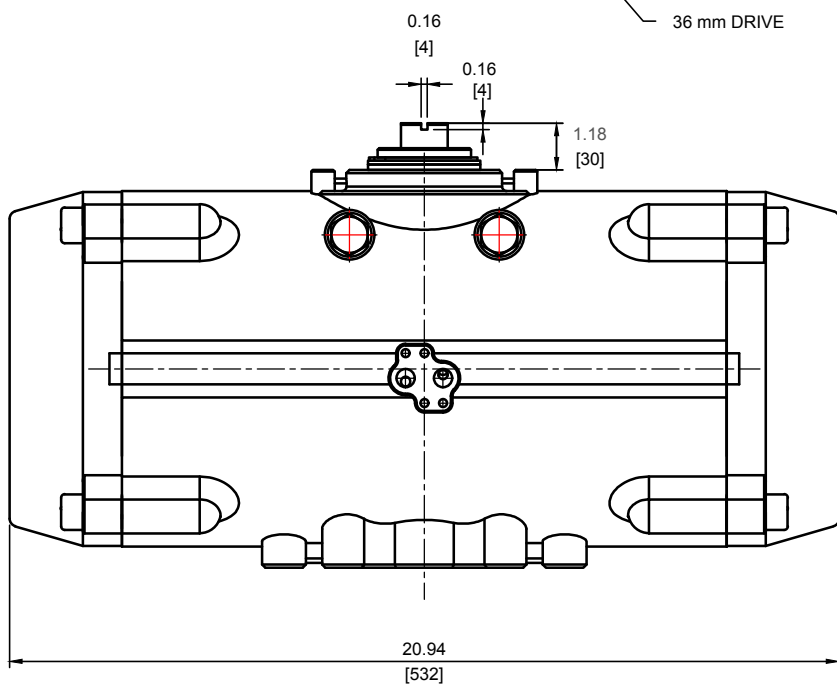


(ISO F14)
 (4)5/8-11 UNC 0.94" DP
 ON A Ø5.512" B.C.

(4) M5 X 0.8

36 mm DRIVE



NAMUR 1/4" NPT Air connector

DESCRIPTION
A1300
Stainless Steel Actuator

NOTICE:
 THIS DRAWING INCLUDES THE DESIGN AND PRINCIPLES
 DISCLOSED AND IS THE SOLE PROPERTY OF UNITORQ
 AND ITS AFFILIATES. IT SUBMITTED WITH THE
 UNDERSTANDING THAT IT IS NOT TO BE REPRODUCED,
 NOR COPIED IN WHOLE OR IN PART, NOR LOANED OR
 OTHERWISE COMMUNICATED TO ANY THIRD PARTY, NOR
 USED IN ANY MANNER DETRIMENTAL TO THE INTERESTS
 OF UNITORQ OR ANY OF ITS AFFILIATES WITHOUT THE
 EXPRESSED WRITTEN CONSENT OF UNITORQ.
 ACCEPTANCE OF THIS DRAWING WILL BE CONSTRUED AS
 AN AGREEMENT TO THE ABOVE.



2150 Boggs Road, Suite 410
 DULUTH, GEORGIA U.S.A. 30096
 Ph: 770-446-7074
 Fax: 770-447-1825
 www.unitorq.com

PRODUCT	PART NUMBER	SALES DRAWING NO.	DWN BY:	DATE:	SCALE:	REV.
		A1300	AJK	08/02/2017	N.T.S.	0