

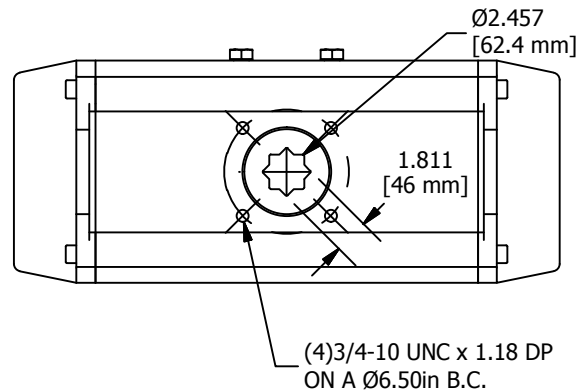
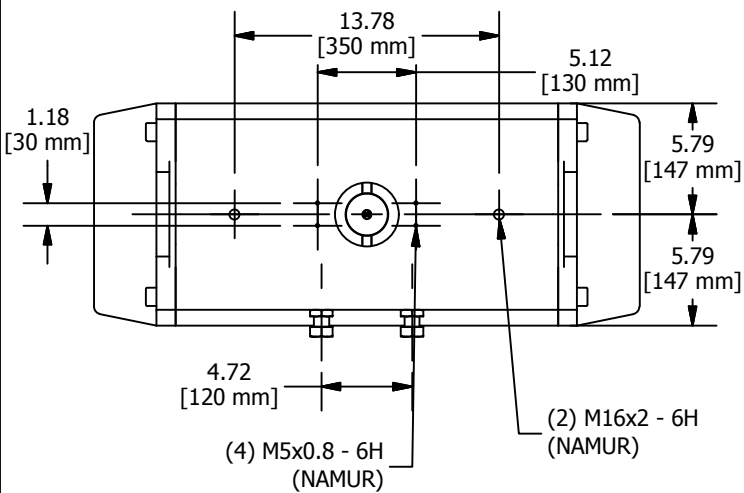
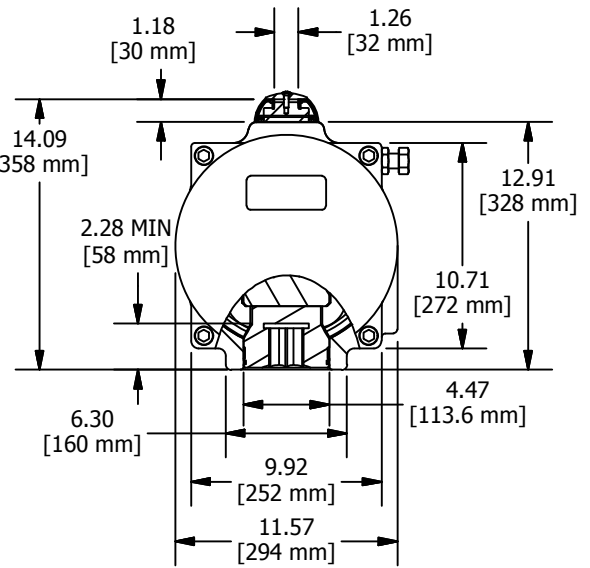
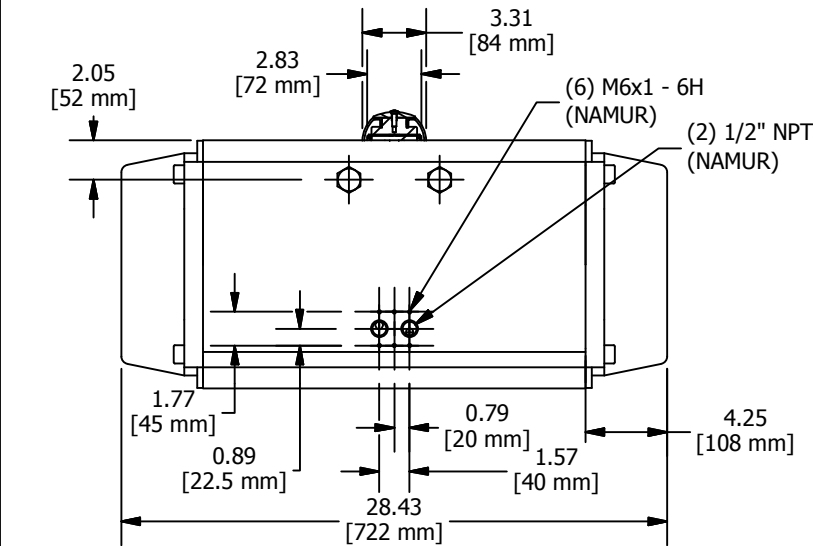
**PRODUCT INFORMATION**  
ACT. SIZE: 2928

DIMENSIONS FOR DOUBLE ACTING  
AND SPRING RETURN ARE  
IDENTICAL

WEIGHT: 180lbs + (K x 4.20lbs)  
K=2,4,...12 (K=0 FOR DA)  
AIR CONSUMPTION: 39.55N.lt/cycle

		Spring Return Torques (in-lbs)											
UniTorq Size	Spring Designation	Actuator Air Torques										Actuator Spring Torques	
		40PSI		60PSI		80PSI		100PSI		120PSI		Start	End
		Start	End	Start	End	Start	End	Start	End	Start	End		
2928	K11	11953	11162	18872	18080	25790	24999	32709	31917	39628	38836	2676	1884
	K22	10069	8486	16987	15404	23906	22323	30825	29242	37743	36160	5352	3769
	K33	8184	5810	15103	12729	22022	19647	28940	26566	35859	33485	8027	5653
	K44	6300	3134	13219	10053	20137	16971	27056	23890	33974	30809	10703	7537
	K55	-	-	11334	7377	18253	14296	25171	21214	32090	28133	13379	9422
	K66	-	-	9450	4701	16368	11620	23287	18539	30206	25457	16055	11306

		Double Acting Torques (in-lbs)									
UniTorq Size		Air Supply Pressure									
		30PSI	40PSI	50PSI	60PSI	70PSI	80PSI	90PSI	100PSI	110PSI	120PSI
2928		10981	14641	18301	21962	25622	29282	32942	36603	38250	43923



DESCRIPTION  
**UNITORQ ACTUATORS**  
**"IM" SERIES, SIZE 2928**  
**ENVELOPE DIMENSIONS &**  
**NAMUR MOUNTING PATTERNS**

NOTICE:  
THIS DRAWING INCLUDES THE DESIGN AND PRINCIPLES DISCLOSED AND IS THE SOLE PROPERTY OF UNITORQ AND ITS AFFILIATES. IT SUBMITTED WITH THE UNDERSTANDING THAT IT IS NOT TO BE REPRODUCED, NOR COPIED IN WHOLE OR IN PART, NOR LOANED OR OTHERWISE COMMUNICATED TO ANY THIRD PARTY, NOR USED IN ANY MANNER DETRIMENTAL TO THE INTERESTS OF UNITORQ OR ANY OF ITS AFFILIATES WITHOUT THE EXPRESSED WRITTEN CONSENT OF UNITORQ. ACCEPTANCE OF THIS DRAWING WILL BE CONSTRUED AS AN AGREEMENT TO THE ABOVE.



2150 Boggs Road, Suite 410  
DULUTH, GEORGIA U.S.A. 30096  
Ph: 770-446-7074  
Fax: 770-447-1825  
www.unitorq.com



PRODUCT: <b>ACTUATOR</b>	PART NUMBER: <b>IM2928</b>	SALES DRAWING NUMBER: <b>IM2928-LAYOUT-TQ</b>	DWN BY: <b>KTL</b>	DATE: <b>08/17/2022</b>	SCALE: <b>N.T.S</b>	REV. <b>0</b>
-----------------------------	-------------------------------	--	-----------------------	----------------------------	------------------------	------------------