

PRODUCT INFORMATION
ACT. SIZE = 406

DIMENSIONS FOR DOUBLE ACTING
AND SPRING RETURN ARE
IDENTICAL

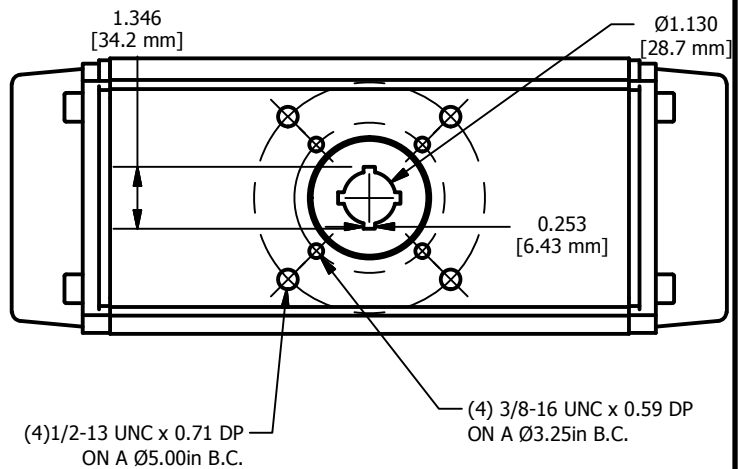
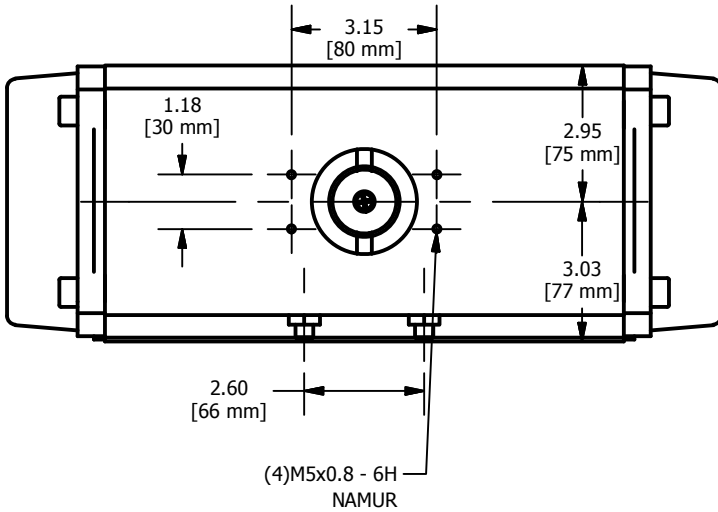
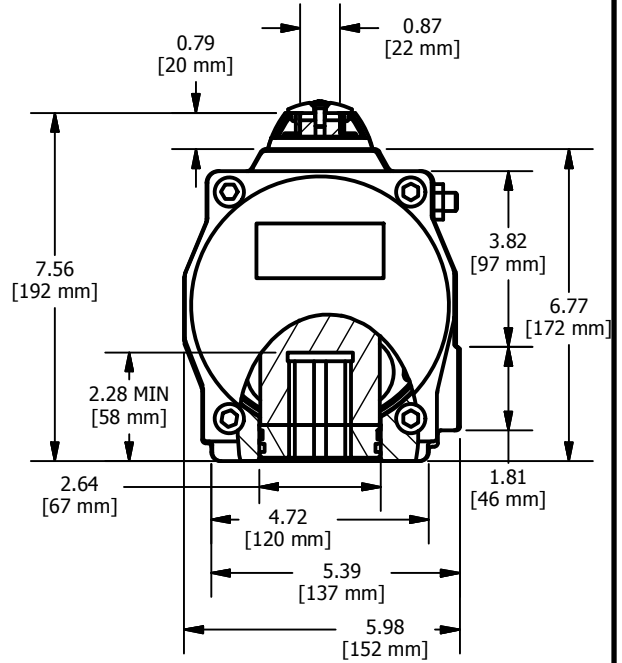
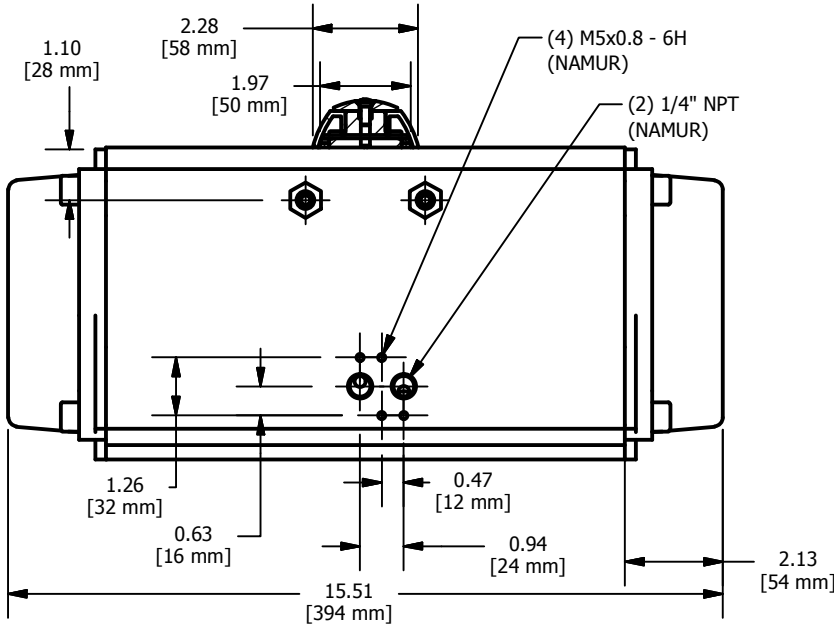
WEIGHT: 30.05lbs + (K x 0.45lbs)
K = 2, 4,...12 (K = 0 FOR DA)
AIR CONSUMPTION: 5.36 N.lit/cycle

Spring Return Torques (in-lbs)

UniTorq Size	Spring Designation	Actuator Air Torques										Actuator Spring Torques	
		40PSI		60PSI		80PSI		100PSI		120PSI		Start	End
		Start	End	Start	End	Start	End	Start	End	Start	End		
406	K11	1745	1596	2763	2614	3780	3631	4797	4648	5815	5666	438	289
	K22	1456	1158	2473	2175	3491	3193	4508	4210	5525	5227	877	579
	K33	1166	720	2184	1737	3201	2754	4219	3772	5236	4789	1315	868
	K44	877	281	1894	1298	2912	2316	3929	3333	4946	4351	1754	1158
	K55	-	-	1605	860	2622	1877	3640	2895	4657	3912	2192	1447
	K66	-	-	1316	422	2333	1439	3350	2456	4368	3474	2630	1737

Double Acting Torques (in-lbs)

UniTorq Size	Air Supply Pressure									
	30PSI	40PSI	50PSI	60PSI	70PSI	80PSI	90PSI	100PSI	110PSI	120PSI
406	1526	2035	2543	3052	3561	4069	4578	5087	5595	6104



DESCRIPTION

**UNITORQ ACTUATORS "I"
SERIES, SIZE 406 ENVELOPE
DIMENSIONS & NAMUR
MOUNTING PATTERNS**

NOTICE:

THIS DRAWING INCLUDES THE DESIGN AND PRINCIPLES DISCLOSED AND IS THE SOLE PROPERTY OF UNITORQ AND ITS AFFILIATES. IT IS SUBMITTED WITH THE UNDERSTANDING THAT IT IS NOT TO BE REPRODUCED, NOR COPIED IN WHOLE OR IN PART, NOR LOANED OR OTHERWISE COMMUNICATED TO ANY THIRD PARTY, NOR USED IN ANY MANNER DETRIMENTAL TO THE INTERESTS OF UNITORQ OR ANY OF ITS AFFILIATES WITHOUT THE EXPRESSED WRITTEN CONSENT OF UNITORQ. ACCEPTANCE OF THIS DRAWING WILL BE CONSTRUED AS AN AGREEMENT TO THE ABOVE.



2150 Boggs Road, Suite 410
DULUTH, GEORGIA U.S.A. 30096
Ph: 770-446-7074
Fax: 770-447-1825
www.unitorq.com



PRODUCT: ACTUATORS	PART NUMBER: I406	SALES DRAWING NUMBER: I406-LAYOUT-TQ	DWN BY: KTL	DATE: 08/16/2022	SCALE: N.T.S	REV. 0
------------------------------	-----------------------------	--	-----------------------	----------------------------	------------------------	------------------