

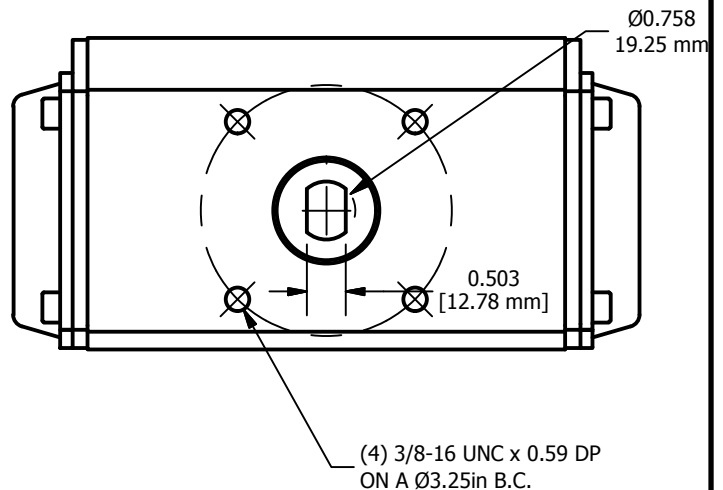
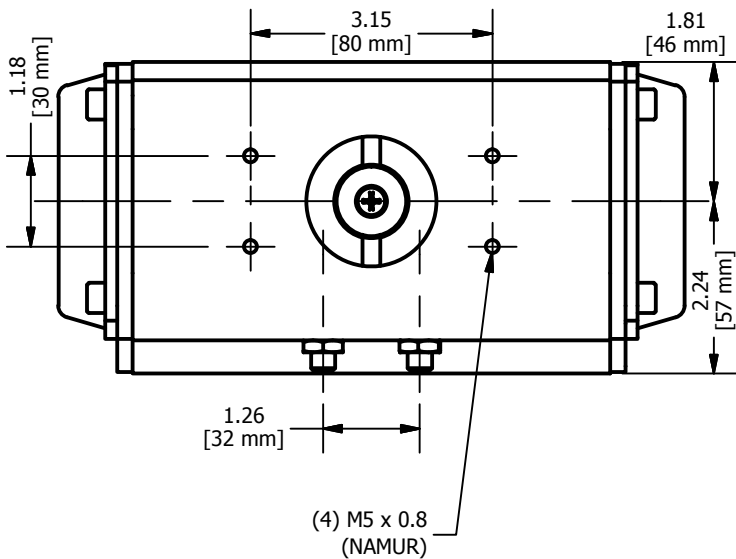
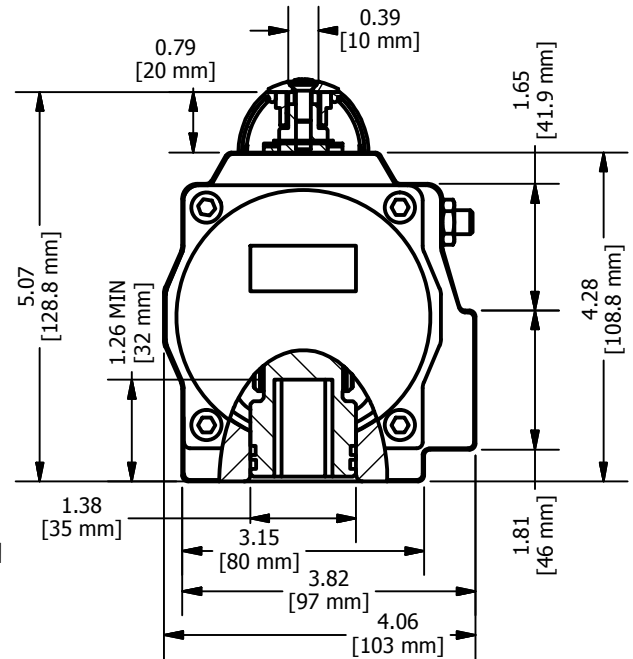
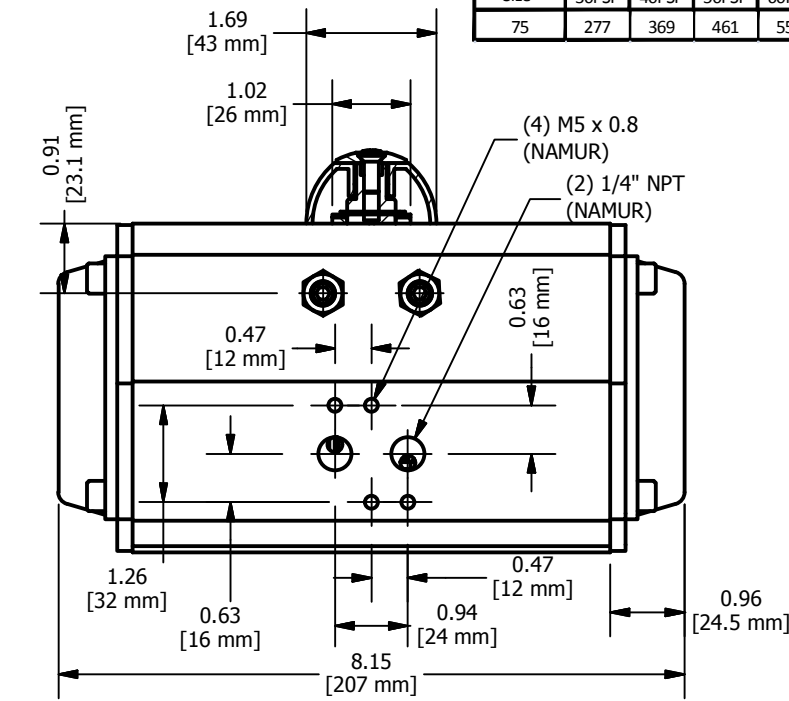
PRODUCT INFORMATION
ACT. SIZE:75

DIMENSIONS FOR DOUBLE ACTING
AND SPRING RETURN ARE
IDENTICAL

WEIGHT: 7.65lbs + (K x 0.10lbs)
K=2, 4,...12 (K=0 FOR DA)
AIR CONSUMPTION: 0.87N.lit/cycle

		Spring Return Torques (in-lbs)											
UniTorq Size	Spring Designation	Actuator Air Torques										Actuator Spring Torques	
		40PSI		60PSI		80PSI		100PSI		120PSI		Start	End
		Start	End	Start	End	Start	End	Start	End	Start	End	Start	End
75	K11	312	287	494	469	677	652	860	834	1042	1017	78	53
	K22	259	208	441	391	624	573	806	756	989	939	157	106
	K33	206	130	388	312	571	495	753	678	936	860	235	160
	K44	152	52	335	234	517	417	700	599	883	782	314	213
	K55	-	-	282	156	464	338	647	521	829	703	392	266
	K66	-	-	229	77	411	260	594	442	776	625	470	319

		Double Acting Torques (in-lbs)									
UniTorq Size	Air Supply Pressure	30PSI	40PSI	50PSI	60PSI	70PSI	80PSI	90PSI	100PSI	110PSI	120PSI
		75		277	369	461	553	646	738	830	922



DESCRIPTION

UNITORQ ACTUATORS
"I" SERIES SIZE 75 ENVELOPE
DIMENSIONS AND NAMUR
MOUNTING

NOTICE:

THIS DRAWING INCLUDES THE DESIGN AND PRINCIPLES DISCLOSED AND IS THE SOLE PROPERTY OF UNITORQ AND ITS AFFILIATES. IT IS SUBMITTED WITH THE UNDERSTANDING THAT IT IS NOT TO BE REPRODUCED, NOR COPIED IN WHOLE OR IN PART, NOR LOANED OR OTHERWISE COMMUNICATED TO ANY THIRD PARTY, NOR USED IN ANY MANNER DETRIMENTAL TO THE INTERESTS OF UNITORQ OR ANY OF ITS AFFILIATES WITHOUT THE EXPRESSED WRITTEN CONSENT OF UNITORQ. ACCEPTANCE OF THIS DRAWING WILL BE CONSTRUED AS AN AGREEMENT TO THE ABOVE.



2150 Boggs Road, Suite 410
DULUTH, GEORGIA U.S.A. 30096
Ph: 770-446-7074
Fax: 770-447-1825
www.unitorq.com



PRODUCT:
ACTUATORS

PART NUMBER:
I75

SALES DRAWING NUMBER:
I75-LAYOUT-TQ

DWN BY: KTL
DATE: 08/16/2022

SCALE:
N.T.S

REV.
0