

PRODUCT INFORMATION
ACT. SIZE: 1260

DIMENSIONS FOR DOUBLE ACTING
AND SPRING RETURN ARE IDENTICAL

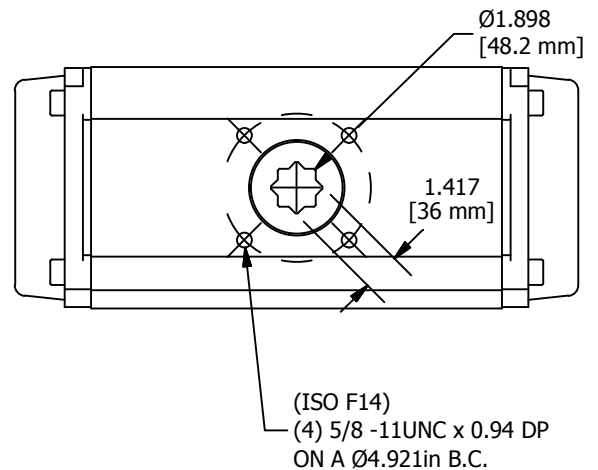
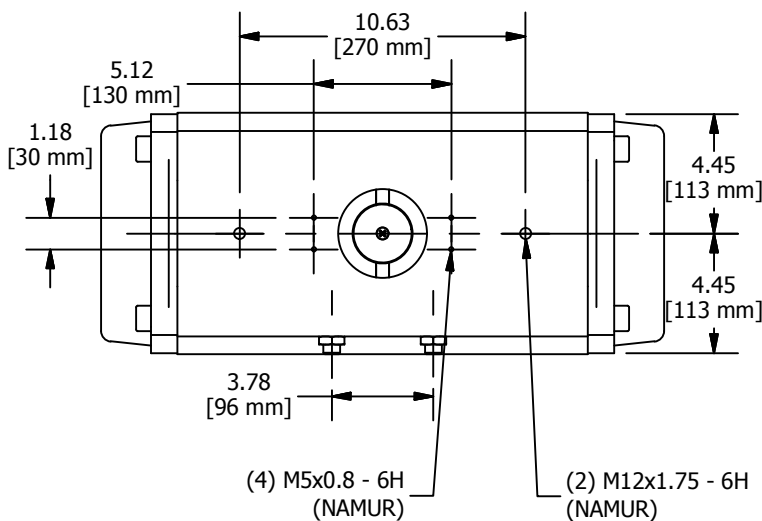
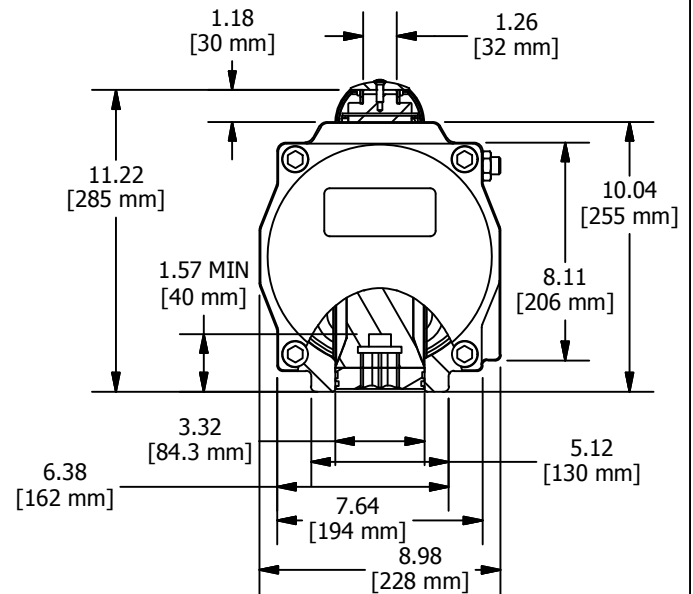
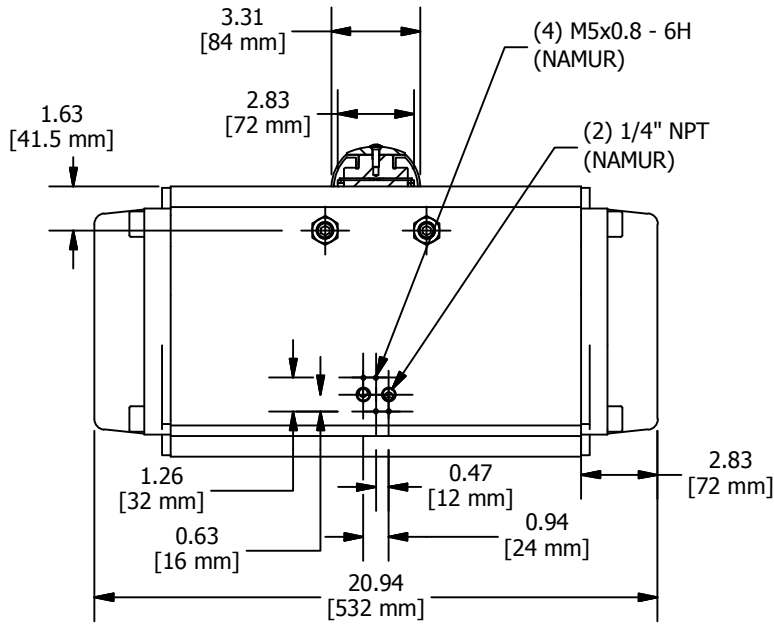
WEIGHT: 87.20bs + (K x 1.75lbs)
K=2,4,...12 (K=0 FOR DA)
AIR CONSUMPTION: 17.17N.lt/cycle

Spring Return Torques (in-lbs)

UniTorq Size	Spring Designation	Actuator Air Torques										Actuator Spring Torques	
		40PSI		60PSI		80PSI		100PSI		120PSI		Start	End
		Start	End	Start	End	Start	End	Start	End	Start	End		
1260	K11	5371	5002	8520	8150	11668	11299	14817	14447	17965	17596	1295	926
	K22	4446	3707	7594	6856	10743	10004	13891	13152	17040	16301	2590	1851
	K33	3520	2412	6669	5561	9817	8709	12966	11858	16114	15006	3885	2777
	K44	2595	1117	5743	4266	8892	7414	12040	10563	15188	13711	5180	3702
	K55	-	-	4818	2971	7966	6119	11114	9268	14263	12416	6475	4628
	K66	-	-	3892	1676	7040	4824	10189	7973	13337	11121	7769	5553

Double Acting Torques (in-lbs)

UniTorq Size	Air Supply Pressure									
	30PSI	40PSI	50PSI	60PSI	70PSI	80PSI	90PSI	100PSI	110PSI	120PSI
1260	4723	6297	7871	9445	11020	12594	14168	15742	17316	18891



DESCRIPTION
UNITORQ ACTUATORS
"M" SERIES, SIZE 1260
ENVELOPE DIMENSIONS &
NAMUR MOUNTING PATTERNS

NOTICE:
THIS DRAWING INCLUDES THE DESIGN AND PRINCIPLES DISCLOSED AND IS THE SOLE PROPERTY OF UNITORQ AND ITS AFFILIATES. IT SUBMITTED WITH THE UNDERSTANDING THAT IT IS NOT TO BE REPRODUCED, NOR COPIED IN WHOLE OR IN PART, NOR LOANED OR OTHERWISE COMMUNICATED TO ANY THIRD PARTY, NOR USED IN ANY MANNER DETRIMENTAL TO THE INTERESTS OF UNITORQ OR ANY OF ITS AFFILIATES WITHOUT THE EXPRESSED WRITTEN CONSENT OF UNITORQ. ACCEPTANCE OF THIS DRAWING WILL BE CONSTRUED AS AN AGREEMENT TO THE ABOVE.



2150 Boggs Road, Suite 410
DULUTH, GEORGIA U.S.A. 30096
Ph: 770-446-7074
Fax: 770-447-1825
www.unitorq.com



PRODUCT: ACTUATOR	PART NUMBER: M1260	SALES DRAWING NUMBER: M1260-TQ-LAYOUT	DWN BY: RMCC	DATE: 02/27/2018	SCALE: 0.14:1	REV. 0
-----------------------------	------------------------------	---	------------------------	----------------------------	-------------------------	------------------