

**PRODUCT INFORMATION**  
ACT. SIZE:20

DIMENSIONS FOR DOUBLE ACTING  
AND SPRING RETURN ARE  
IDENTICAL

WEIGHT: 3.00 + (K x 0.03lbs.)

K=2, 4, ...12 (K=0 FOR DA)

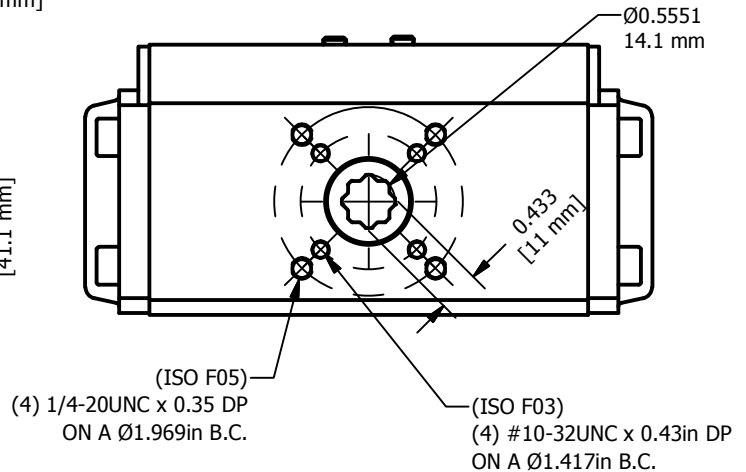
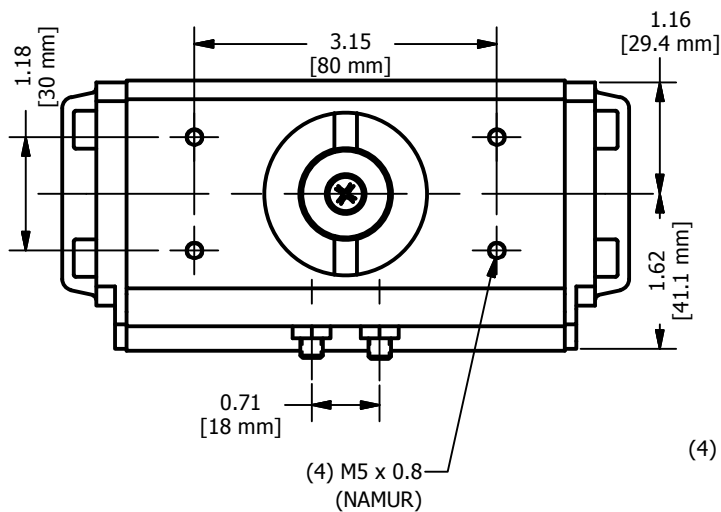
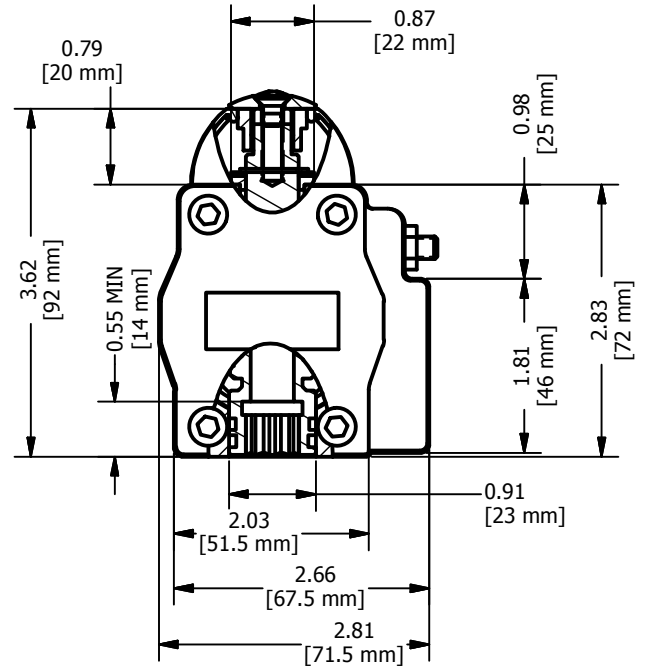
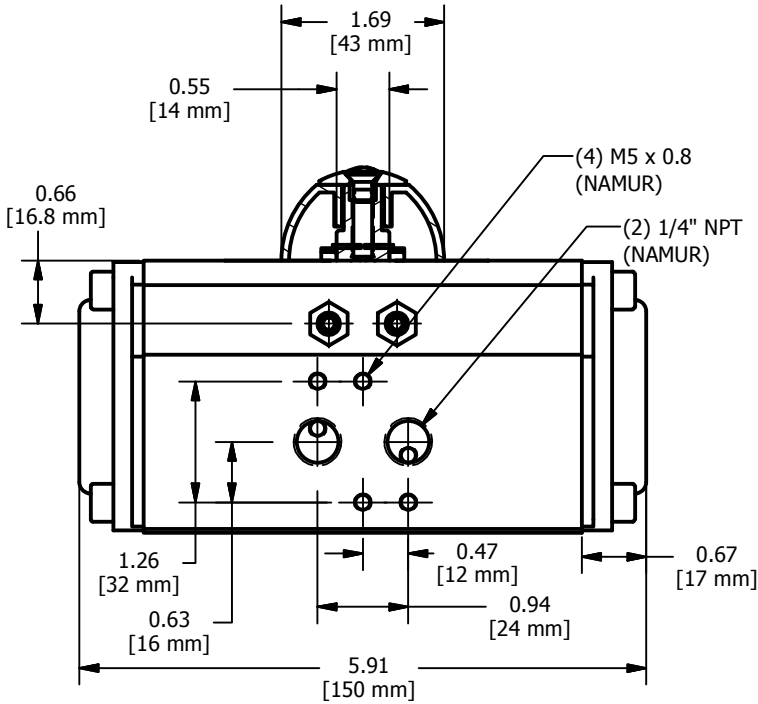
AIR CONSUMPTION: 0.28Nl./cycle

**M Series Spring Return Torques (in-lbs)**

UniTorq Size	Spring Designation	Actuator Air Torques										Actuator Spring Torques	
		40PSI		60PSI		80PSI		100PSI		120PSI		Start	End
		Start	End	Start	End	Start	End	Start	End	Start	End		
20	K11	81	75	129	122	177	170	225	218	272	266	21	14
	K22	67	53	115	101	162	149	210	197	258	245	42	29
	K33	53	32	100	80	148	128	196	176	244	224	63	43
	K44	38	11	86	59	134	107	182	155	229	203	84	57
	K55	-	-	72	38	120	86	167	134	215	181	105	71
	K66	-	-	58	17	105	65	153	113	201	160	126	86

**M Series Double Acting Torques (in-lbs)**

UniTorq Size	Air Supply Pressure										
	30PSI	40PSI	50PSI	60PSI	70PSI	80PSI	90PSI	100PSI	110PSI	120PSI	
20	72	96	119	143	167	191	215	239	263	287	



**DESCRIPTION**

**UNITORQ ACTUATORS "M"  
SERIES, SIZE 20 ENVELOPE  
DIMENSIONS & NAMUR  
MOUNTING PATTERNS**

**NOTICE:**

THIS DRAWING INCLUDES THE DESIGN AND PRINCIPLES DISCLOSED AND IS THE SOLE PROPERTY OF UNITORQ AND ITS AFFILIATES. IT SUBMITTED WITH THE UNDERSTANDING THAT IT IS NOT TO BE REPRODUCED, NOR COPIED IN WHOLE OR IN PART, NOR LOANED OR OTHERWISE COMMUNICATED TO ANY THIRD PARTY, NOR USED IN ANY MANNER DETRIMENTAL TO THE INTERESTS OF UNITORQ OR ANY OF ITS AFFILIATES WITHOUT THE EXPRESSED WRITTEN CONSENT OF UNITORQ. ACCEPTANCE OF THIS DRAWING WILL BE CONSTRUED AS AN AGREEMENT TO THE ABOVE.



2150 Boggs Road, Suite 410  
DULUTH, GEORGIA U.S.A. 30096  
Ph: 770-446-7074  
Fax: 770-447-1825  
www.untorq.com



PRODUCT:  
**ACTUATOR**

PART NUMBER:  
**M20**

SALES DRAWING NUMBER:  
**M20-LAYOUT-TQ**

DWN BY: DATE:  
**KTL 08/17/2022**

SCALE:  
**N.T.S**

REV.  
**0**