

PRODUCT INFORMATION
ACT. SIZE:237

DIMENSIONS FOR DOUBLE ACTING
AND SPRING RETURN ARE IDENTICAL

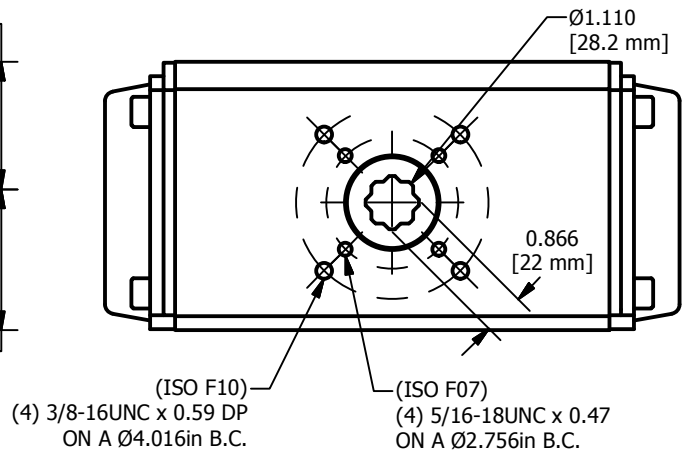
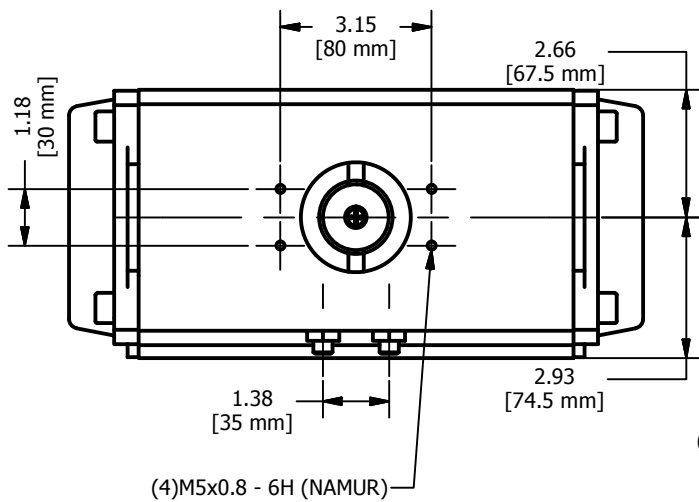
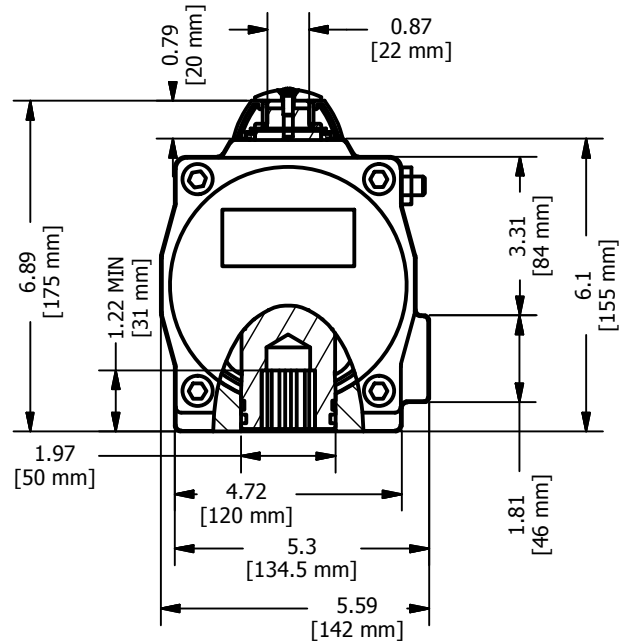
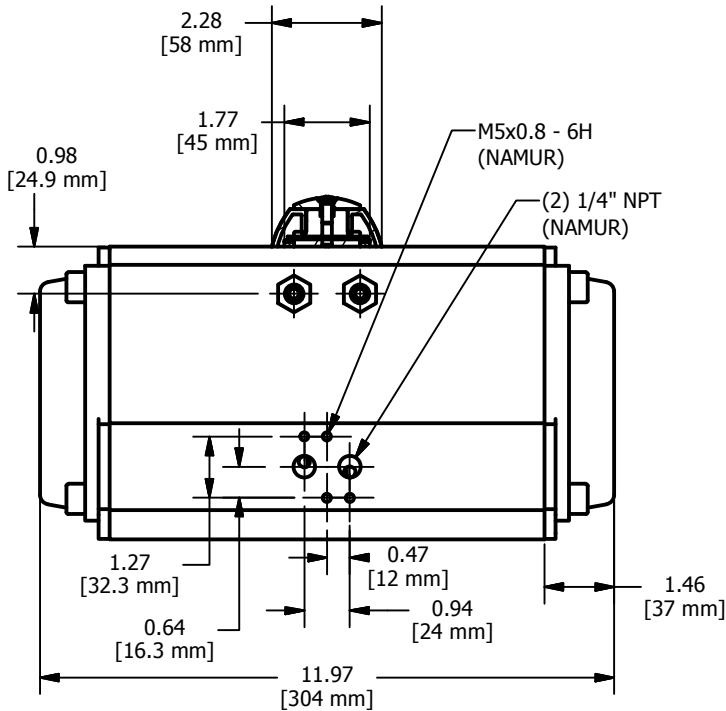
WEIGHT: 21.00lbs + (K x 0.25lbs)
K=2, 4,...12 (K=0 FOR DA)
AIR CONSUMPTION: 2.97N.lt/cycle

Spring Return Torques (in-lbs)

UniTorq Size	Spring Designation	Actuator Air Torques										Actuator Spring Torques	
		40PSI		60PSI		80PSI		100PSI		120PSI		Start	End
		Start	End	Start	End	Start	End	Start	End	Start	End		
237	K11	1013	922	1608	1517	2202	2111	2797	2706	3392	3301	268	177
	K22	836	654	1431	1249	2026	1844	2620	2438	3215	3033	535	353
	K33	659	386	1254	981	1849	1576	2444	2171	3038	2765	803	530
	K44	483	119	1078	713	1672	1308	2267	1903	2862	2498	1071	707
	K55	-	-	901	446	1496	1040	2090	1635	2685	2230	1339	883
	K66	-	-	724	178	1319	773	1914	1367	2508	1962	1606	1060

Double Acting Torques (in-lbs)

UniTorq Size	Air Supply Pressure										
	30PSI	40PSI	50PSI	60PSI	70PSI	80PSI	90PSI	100PSI	110PSI	120PSI	
237	892	1190	1487	1784	2082	2379	2676	2974	3271	3569	



DESCRIPTION

UNITORQ ACTUATORS "M" SERIES, SIZE 237 ENVELOPE DIMENSIONS & NAMUR MOUNTING PATTERNS

NOTICE:
THIS DRAWING INCLUDES THE DESIGN AND PRINCIPLES DISCLOSED AND IS THE SOLE PROPERTY OF UNITORQ AND ITS AFFILIATES. IT IS SUBMITTED WITH THE UNDERSTANDING THAT IT IS NOT TO BE REPRODUCED, NOR COPIED IN WHOLE OR IN PART, NOR LOANED OR OTHERWISE COMMUNICATED TO ANY THIRD PARTY, NOR USED IN ANY MANNER DETRIMENTAL TO THE INTERESTS OF UNITORQ OR ANY OF ITS AFFILIATES WITHOUT THE EXPRESSED WRITTEN CONSENT OF UNITORQ. ACCEPTANCE OF THIS DRAWING WILL BE CONSTRUED AS AN AGREEMENT TO THE ABOVE.



2150 Boggs Road, Suite 410
DULUTH, GEORGIA U.S.A. 30096
Ph: 770-446-7074
Fax: 770-447-1825
www.unitorq.com



PRODUCT: ACTUATORS	PART NUMBER: M237	SALES DRAWING NUMBER: M237-LAYOUT-TQ	DWN BY: KTL	DATE: 08/17/2022	SCALE: N.T.S	REV. 0
------------------------------	-----------------------------	--	-----------------------	----------------------------	------------------------	------------------