

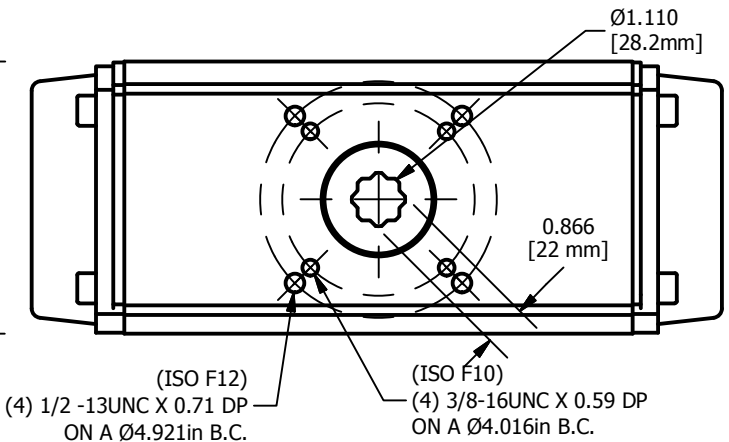
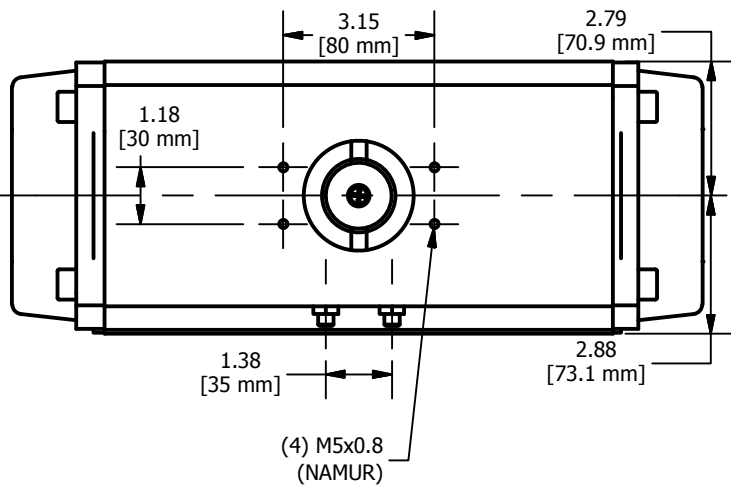
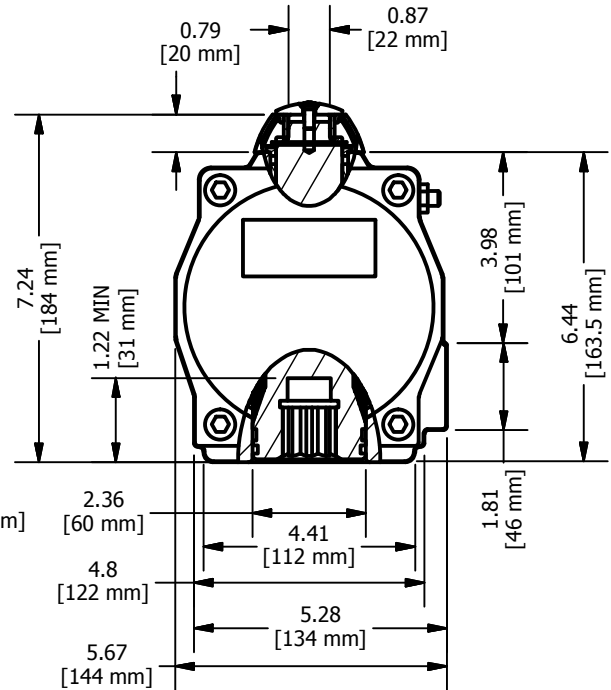
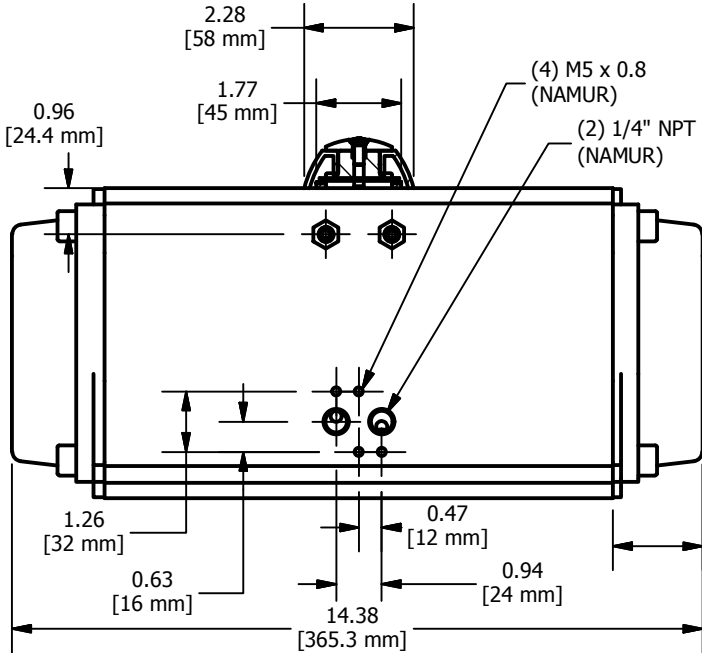
**PRODUCT INFORMATION**  
ACT. SIZE:331

DIMENSIONS FOR DOUBLE ACTING  
AND SPRING RETURN ARE  
IDENTICAL

Weight: 26.85lbs + (K x 0.35lbs)  
K = 2,4.....12 (K = 0 for DA)  
AIR CONSUMPTION: 4.50N.lt/cycle

		Spring Return Torques (in-lbs)											
UniTorq Size	Spring Designation	Actuator Air Torques										Actuator Spring Torques	
		40PSI		60PSI		80PSI		100PSI		120PSI		Start	End
		Start	End	Start	End	Start	End	Start	End	Start	End		
331	K11	1439	1282	2268	2111	3097	2940	3926	3769	4755	4598	376	219
	K22	1221	906	2050	1735	2879	2564	3708	3393	4537	4223	752	438
	K33	1002	531	1831	1360	2660	2189	3489	3018	4318	3847	1128	656
	K44	783	155	1612	984	2441	1813	3270	2642	4099	3471	1503	875
	K55	-	-	1393	608	2222	1437	3051	2266	3880	3095	1879	1094
	K66	-	-	1174	232	2004	1061	2833	1890	3662	2719	2255	1313

		Double Acting Torques (in-lbs)									
UniTorq Size	Air Supply Pressure	Air Supply Pressure									
		30PSI	40PSI	50PSI	60PSI	70PSI	80PSI	90PSI	100PSI	110PSI	120PSI
331		1244	1658	2073	2487	2902	3316	3731	4145	4560	4974



DESCRIPTION

**UNITORQ ACTUATORS "M"  
SERIES, SIZE 331 ENVELOPE  
DIMENSIONS & NAMUR  
MOUNTING PATTERNS**

NOTICE:

THIS DRAWING INCLUDES THE DESIGN AND PRINCIPLES DISCLOSED AND IS THE SOLE PROPERTY OF UNITORQ AND ITS AFFILIATES. IT IS SUBMITTED WITH THE UNDERSTANDING THAT IT IS NOT TO BE REPRODUCED, NOR COPIED IN WHOLE OR IN PART, NOR LOANED OR OTHERWISE COMMUNICATED TO ANY THIRD PARTY, NOR USED IN ANY MANNER DETRIMENTAL TO THE INTERESTS OF UNITORQ OR ANY OF ITS AFFILIATES WITHOUT THE EXPRESSED WRITTEN CONSENT OF UNITORQ. ACCEPTANCE OF THIS DRAWING WILL BE CONSTRUED AS AN AGREEMENT TO THE ABOVE.



2150 Boggs Road, Suite 410  
DULUTH, GEORGIA U.S.A. 30096  
Ph: 770-446-7074  
Fax: 770-447-1825  
www.untorq.com



PRODUCT:  
ACTUATORS

PART NUMBER:  
M331

SALES DRAWING NUMBER:  
M331-LAYOUT-TQ

DWN BY: DATE:  
KTL 08/17/2022

SCALE:  
N.T.S

REV.  
0