

**PRODUCT INFORMATION**

Act. Size: 3680

DIMENSIONS FOR DOUBLE ACTING AND SPRING RETURN ARE IDENTICAL

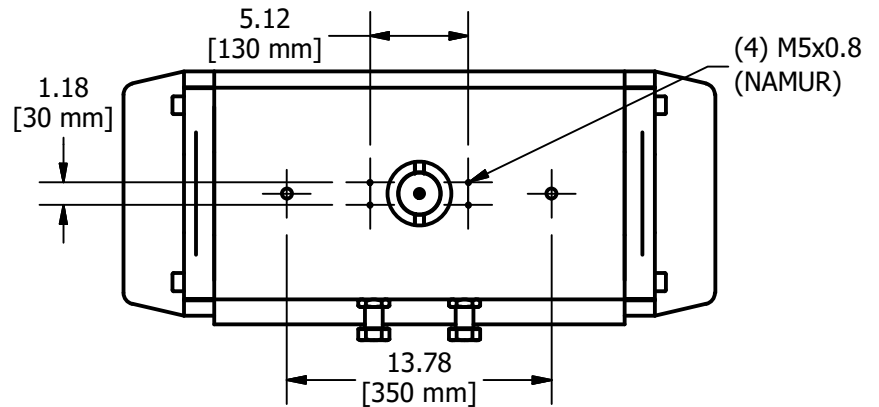
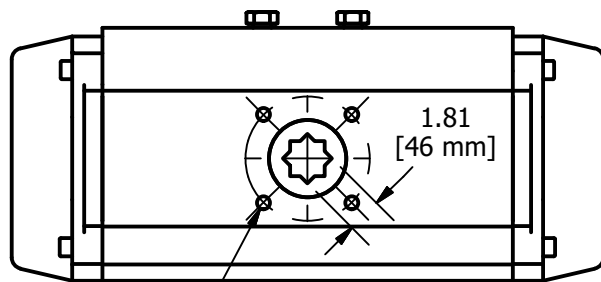
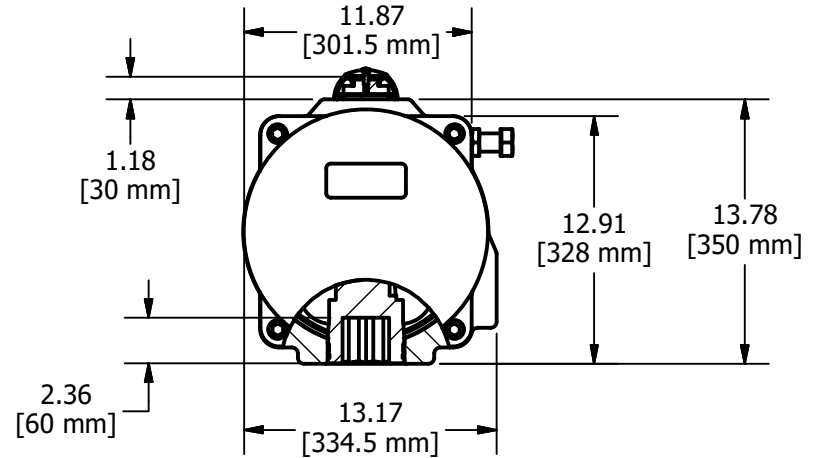
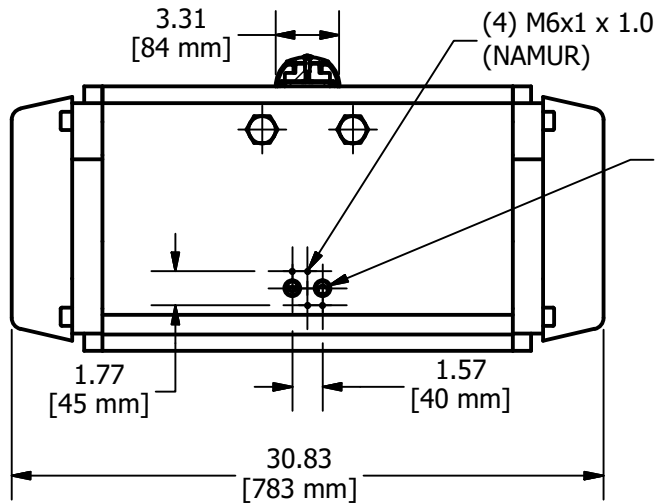
WEIGHT: 243lbs + (K x 4lbs)

K = 2, 4, ... 12(K = 0 FOR DA)

AIR CONSUMPTION: 51.4 N.lit/cycle

		Spring Return Torques (in-lbs)											
UniTorq Size	Spring Designation	Actuator Air Torques										Actuator Spring Torques	
		40PSI		60PSI		80PSI		100PSI		120PSI		Start	End
		Start	End	Start	End	Start	End	Start	End	Start	End		
3680	K33	9462	6055	17953	14546	26443	23036	34934	31527	43425	40018	10927	7520
	K44	6955	2412	15446	10903	23937	19394	32428	27885	40918	36376	14569	10027
	K55	-	-	12939	7261	21430	15752	29921	24243	38412	32733	18212	12533
	K66	-	-	10433	3619	18923	12109	27414	20600	35905	29091	21854	15040

		Double Acting Torques (in-lbs)											
UniTorq Size	Air Supply Pressure	10 PSI	20PSI	30PSI	40PSI	50PSI	60PSI	70PSI	80PSI	90PSI	100PSI	110PSI	120PSI
		3680		4481	8963	13444	17925	22406	26888	31369	35850	40332	44813



(4) 3/4 -10UNC x 1.18 DP ON A Ø6.496in B.C.

DESCRIPTION  
**UNITORQ ACTUATORS "M" SERIES, SIZE 3680 ENVELOPE DIMENSIONS & NAMUR MOUNTING PATTERNS**

NOTICE:  
 THIS DRAWING INCLUDES THE DESIGN AND PRINCIPLES DISCLOSED AND IS THE SOLE PROPERTY OF UNITORQ AND ITS AFFILIATES. IT SUBMITTED WITH THE UNDERSTANDING THAT IT IS NOT TO BE REPRODUCED, NOR COPIED IN WHOLE OR IN PART, NOR LOANED OR OTHERWISE COMMUNICATED TO ANY THIRD PARTY, NOR USED IN ANY MANNER DETRIMENTAL TO THE INTERESTS OF UNITORQ OR ANY OF ITS AFFILIATES WITHOUT THE EXPRESSED WRITTEN CONSENT OF UNITORQ. ACCEPTANCE OF THIS DRAWING WILL BE CONSTRUED AS AN AGREEMENT TO THE ABOVE.



2150 Boggs Road, Suite 410  
 DULUTH, GEORGIA U.S.A. 30096  
 Ph: 770-446-7074  
 Fax: 770-447-1825  
 www.unitorq.com



PRODUCT: ACTUATOR	PART NUMBER: M3680	SALES DRAWING NUMBER: M3680-LAYOUT-TQ	DWN BY: KTL	DATE: 08/17/2022	SCALE: N.T.S	REV. 0
----------------------	-----------------------	--	----------------	---------------------	-----------------	-----------