

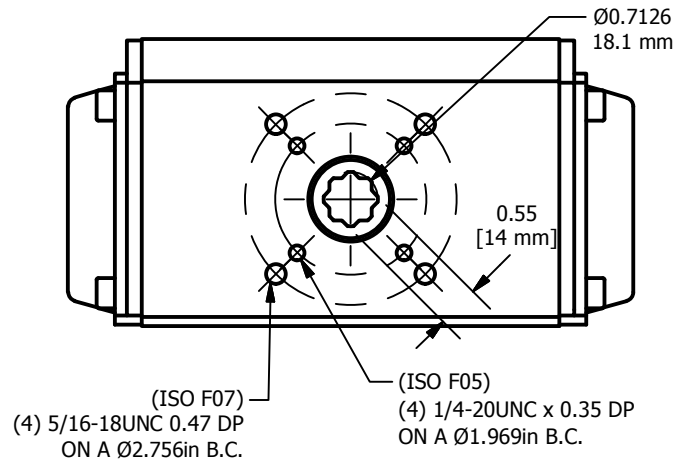
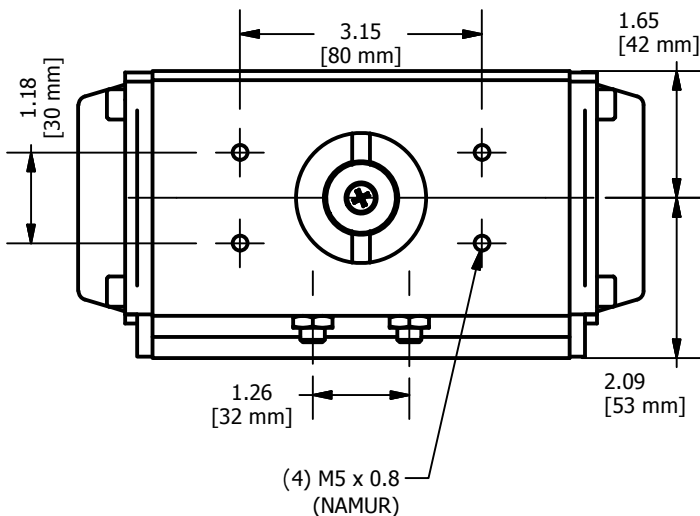
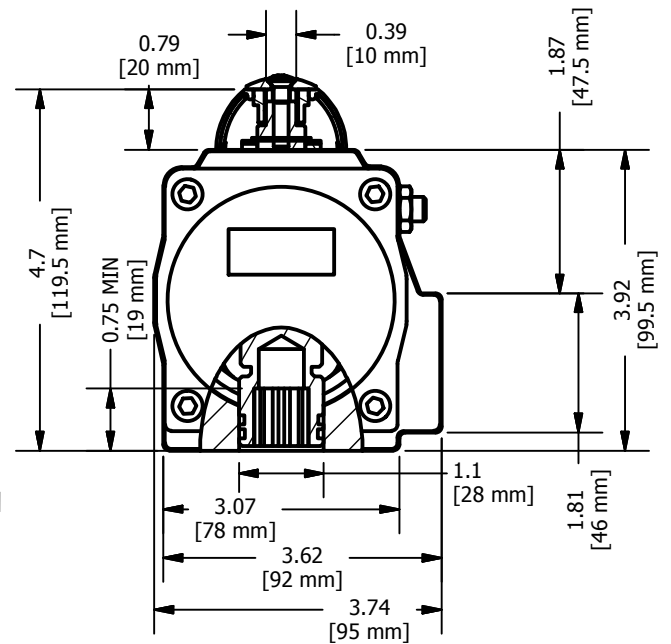
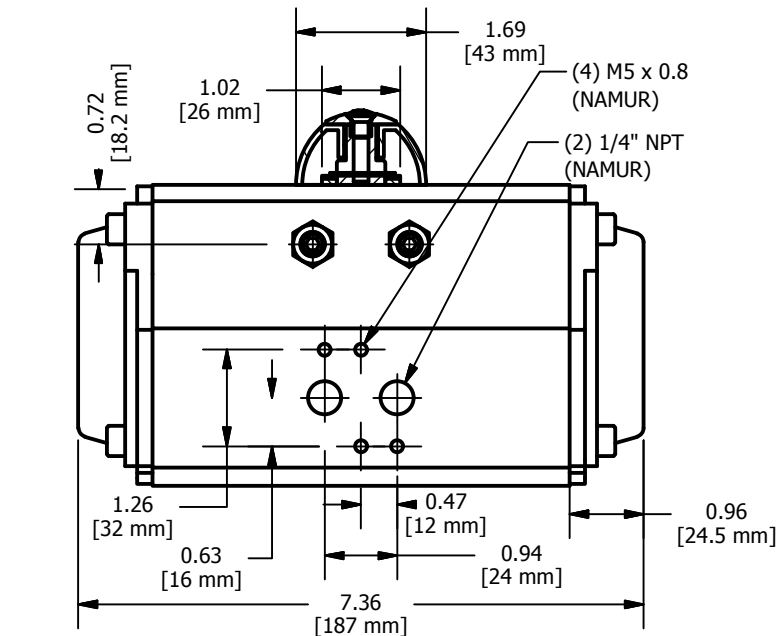
**PRODUCT INFORMATION**  
ACT. SIZE:48

DIMENSIONS FOR DOUBLE ACTING  
AND SPRING RETURN ARE  
IDENTICAL

WEIGHT: 5.75lbs + (K x 0.05lbs)  
K=2, 4,...12 (K=0 FOR DA)  
AIR CONSUMPTION: 0.60N.lt/cycle

		Spring Return Torques (in-lbs)											
UniTorq Size	Spring Designation	Actuator Air Torques										Actuator Spring Torques	
		40PSI		60PSI		80PSI		100PSI		120PSI		Start	End
		Start	End	Start	End	Start	End	Start	End	Start	End		
48	K11	203	189	322	308	441	428	561	547	680	666	49	36
	K22	167	140	287	259	406	378	525	498	644	617	99	71
	K33	132	91	251	210	370	329	490	448	609	568	148	107
	K44	96	41	216	161	335	280	454	399	573	518	197	142
	K55	-	-	180	111	299	231	419	350	538	469	246	178
	K66	-	-	145	62	264	181	383	301	502	420	296	213

		Double Acting Torques (in-lbs)									
UniTorq Size	Air Supply Pressure	30PSI	40PSI	50PSI	60PSI	70PSI	80PSI	90PSI	100PSI	110PSI	120PSI
		48		181	241	301	361	422	482	542	602



DESCRIPTION

**UNITORQ ACTUATORS "M"  
SERIES, SIZE 48 ENVELOPE  
DIMENSIONS & NAMUR  
MOUNTING PATTERNS**

NOTICE:  
THIS DRAWING INCLUDES THE DESIGN AND PRINCIPLES DISCLOSED AND IS THE SOLE PROPERTY OF UNITORQ AND ITS AFFILIATES. IT SUBMITTED WITH THE UNDERSTANDING THAT IT IS NOT TO BE REPRODUCED, NOR COPIED IN WHOLE OR IN PART, NOR LOANED OR OTHERWISE COMMUNICATED TO ANY THIRD PARTY, NOR USED IN ANY MANNER DETRIMENTAL TO THE INTERESTS OF UNITORQ OR ANY OF ITS AFFILIATES WITHOUT THE EXPRESSED WRITTEN CONSENT OF UNITORQ. ACCEPTANCE OF THIS DRAWING WILL BE CONSTRUED AS AN AGREEMENT TO THE ABOVE.



2150 Boggs Road, Suite 410  
DULUTH, GEORGIA U.S.A. 30096  
Ph: 770-446-7074  
Fax: 770-447-1825  
www.unitorq.com



PRODUCT:  
**ACTUATOR**

PART NUMBER:  
**M48**

SALES DRAWING NUMBER:  
**M48-LAYOUT-TQ**

DWN BY: DATE:  
**KTL 08/17/2022**

SCALE:  
**N.T.S**

REV.  
**0**