

PRODUCT INFORMATION

ACT. SIZE: 5515

DIMENSIONS FOR DOUBLE ACTING
AND SPRING RETURN ARE
IDENTICAL

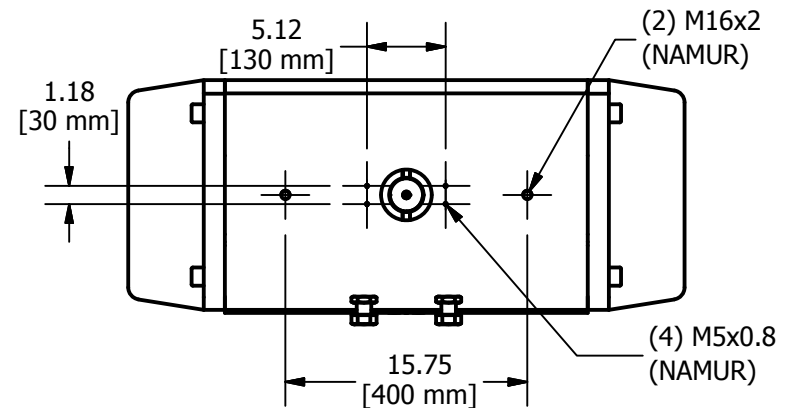
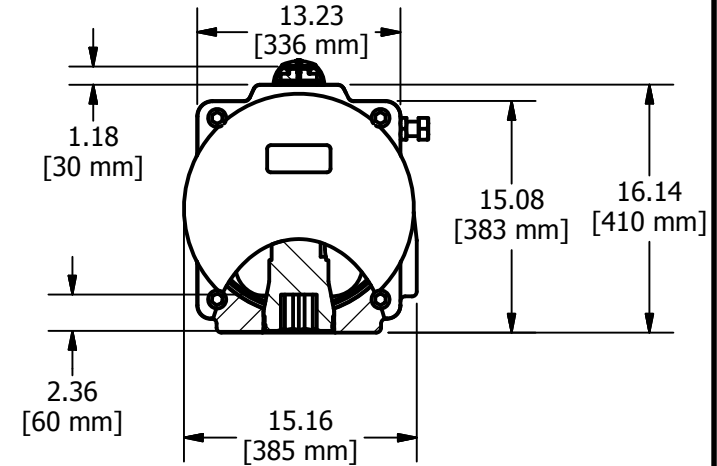
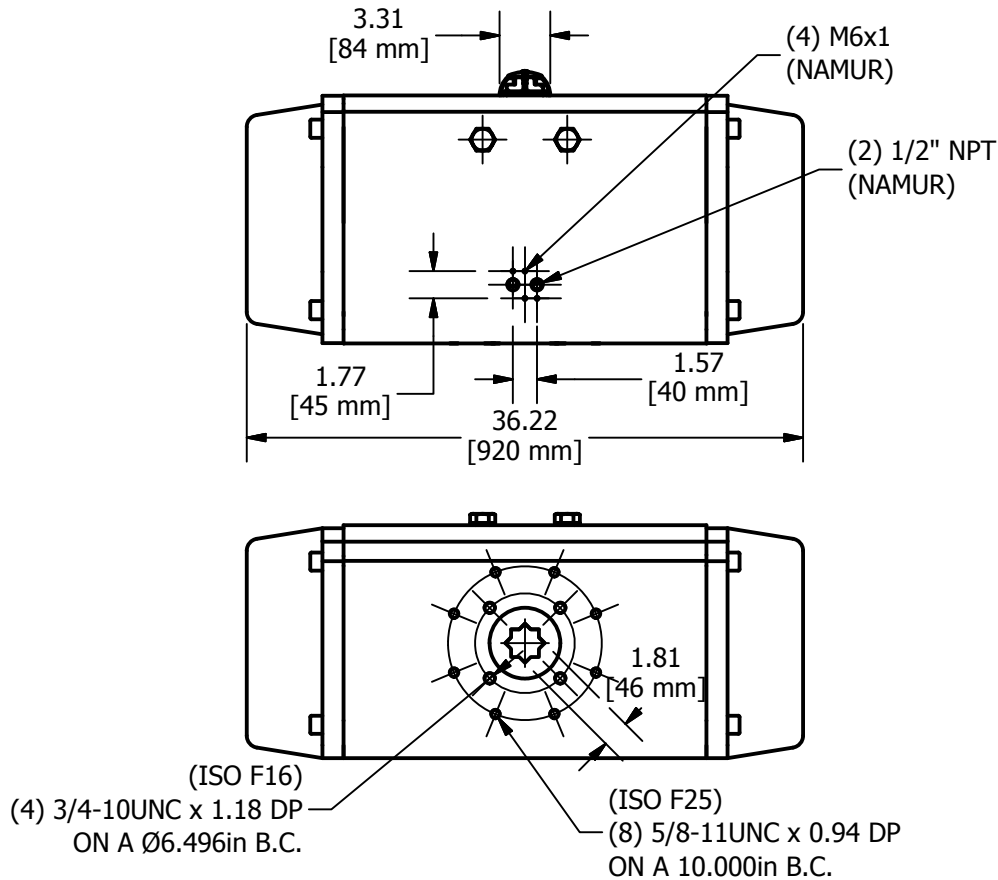
WEIGHT: 410lbs + (K x 10.6lbs)

K = 2, 4, ... (K = 0 DA)

AIR CONSUMPTION: 74.9 N.lit/cycle

Spring Return Torques (in-lbs)													
UniTorq Size	Spring Designation	Actuator Air Torques										Actuator Spring Torques	
		40PSI		60PSI		80PSI		100PSI		120PSI		Start	End
		Start	End	Start	End	Start	End	Start	End	Start	End		
5515	K33	13590	8251	26303	20963	39015	33676	51728	46389	64441	59101	17175	11835
	K44	9645	2526	22358	15238	35070	27951	47783	40664	60496	53376	22900	15780
	K55	-	-	18413	9513	31125	22226	43838	34939	56551	47652	28625	19725
	K66	-	-	14467	3789	27180	16501	39893	29214	52606	41927	34350	23671

Double Acting Torques (in-lbs)												
UniTorq Size	Air Supply Pressure											
	10PSI	20PSI	30PSI	40PSI	50PSI	60PSI	70PSI	80PSI	90PSI	100PSI	110PSI	120PSI
5515	6709	13419	20128	26838	33547	40257	46966	53676	60385	67095	73804	80514



DESCRIPTION UNITORQ ACTUATORS "M" SERIES, SIZE 5515 ENVELOPE DIMENSIONS & NAMUR MOUNTING PATTERNS		NOTICE: THIS DRAWING INCLUDES THE DESIGN AND PRINCIPLES DISCLOSED AND IS THE SOLE PROPERTY OF UNITORQ AND ITS AFFILIATES. IT SUBMITTED WITH THE UNDERSTANDING THAT IT IS NOT TO BE REPRODUCED, NOR COPIED IN WHOLE OR IN PART, NOR LOANED OR OTHERWISE COMMUNICATED TO ANY THIRD PARTY, NOR USED IN ANY MANNER DETRIMENTAL TO THE INTERESTS OF UNITORQ OR ANY OF ITS AFFILIATES WITHOUT THE EXPRESSED WRITTEN CONSENT OF UNITORQ. ACCEPTANCE OF THIS DRAWING WILL BE CONSTRUED AS AN AGREEMENT TO THE ABOVE.		2150 Boggs Road, Suite 410 DULUTH, GEORGIA U.S.A. 30096 Ph: 770-446-7074 Fax: 770-447-1825 www.unitorq.com ISO 9001:2015 CERTIFIED COMPANY 	
PRODUCT: ACTUATOR	PART NUMBER: M5515	SALES DRAWING NUMBER: M5515-LAYOUT-TQ	DWN BY: KTL	DATE: 08/17/2022	SCALE: N.T.S
			REV. 0		

