

**PRODUCT INFORMATION**  
ACT. SIZE: 633

DIMENSIONS FOR DOUBLE ACTING  
AND SPRING RETURN ARE  
IDENTICAL

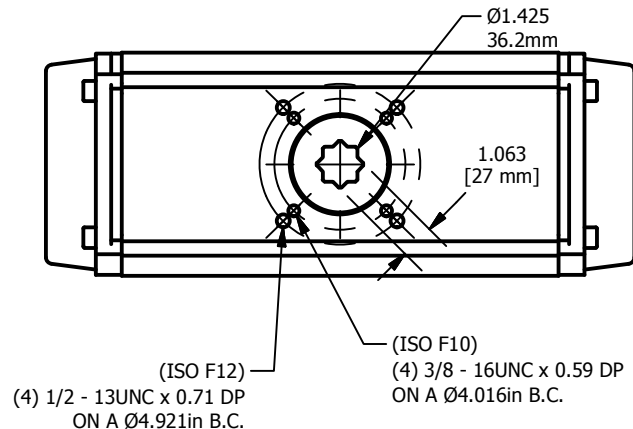
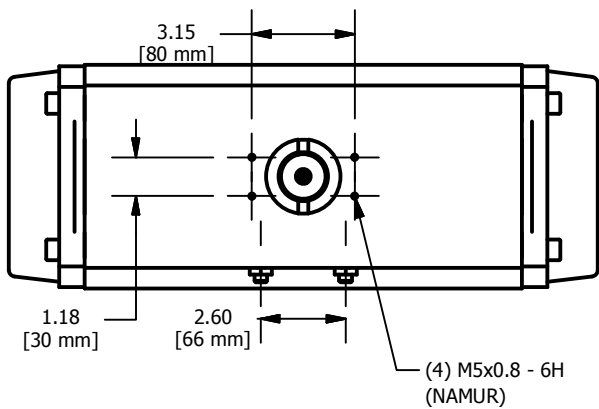
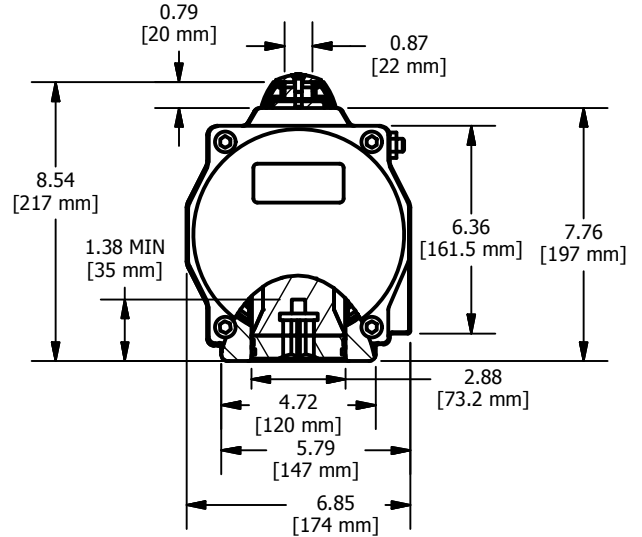
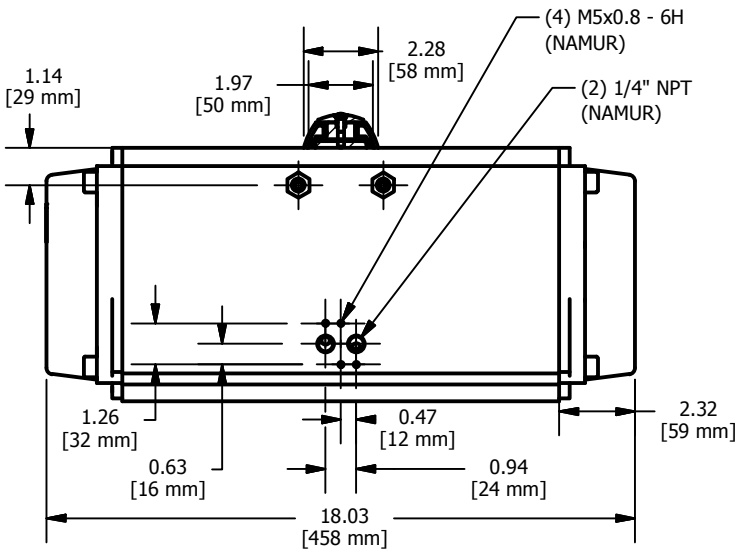
WEIGHT: 45.05lbs + (K x 0.65lbs)  
K = 2, 4, ..., 12 (K=0 FOR DA)  
AIR CONSUMPTION: 8.22N.lt/cycle

**Spring Return Torques (in-lbs)**

UniTorq Size	Spring Designation	Actuator Air Torques										Actuator Spring Torques	
		40PSI		60PSI		80PSI		100PSI		120PSI		Start	End
		Start	End	Start	End	Start	End	Start	End	Start	End		
633	K11	2680	2438	4255	4013	5829	5587	7404	7162	8979	8737	712	469
	K22	2210	1726	3785	3301	5360	4876	6935	6450	8509	8025	1423	939
	K33	1741	1014	3316	2589	4890	4164	6465	5739	8040	7313	2135	1408
	K44	1272	303	2846	1877	4421	3452	5996	5027	7570	6602	2847	1878
	K55	-	-	2377	1166	3951	2741	5526	4315	7101	5890	3558	2347
	K66	-	-	1907	454	3482	2029	5057	3604	6631	5178	4270	2817

**Double Acting Torques (in-lbs)**

UniTorq Size	Air Supply Pressure									
	30PSI	40PSI	50PSI	60PSI	70PSI	80PSI	90PSI	100PSI	110PSI	120PSI
633	2374	3166	3957	4749	5540	6332	7123	7914	8706	9497



**DESCRIPTION**

**UNITORQ ACTUATORS "M"  
SERIES, SIZE 633 ENVELOPE  
DIMENSIONS & NAMUR  
MOUNTING PATTERNS**

**NOTICE:**

THIS DRAWING INCLUDES THE DESIGN AND PRINCIPLES DISCLOSED AND IS THE SOLE PROPERTY OF UNITORQ AND ITS AFFILIATES. IT IS SUBMITTED WITH THE UNDERSTANDING THAT IT IS NOT TO BE REPRODUCED, NOR COPIED IN WHOLE OR IN PART, NOR LOANED OR OTHERWISE COMMUNICATED TO ANY THIRD PARTY, NOR USED IN ANY MANNER DETRIMENTAL TO THE INTERESTS OF UNITORQ OR ANY OF ITS AFFILIATES WITHOUT THE EXPRESSED WRITTEN CONSENT OF UNITORQ. ACCEPTANCE OF THIS DRAWING WILL BE CONSTRUED AS AN AGREEMENT TO THE ABOVE.



2150 Boggs Road, Suite 410  
DULUTH, GEORGIA U.S.A. 30096  
Ph: 770-446-7074  
Fax: 770-447-1825  
www.unitorq.com



ISO 9001 - 2008 EDITION

PRODUCT: <b>ACTUATORS</b>	PART NUMBER: <b>M633</b>	SALES DRAWING NUMBER: <b>M663-LAYOUT-TQ</b>	DWN BY: <b>RMCC</b>	DATE: <b>02/23/2018</b>	SCALE: <b>0.17:1</b>	REV. <b>0</b>
------------------------------	-----------------------------	--	------------------------	----------------------------	-------------------------	------------------