

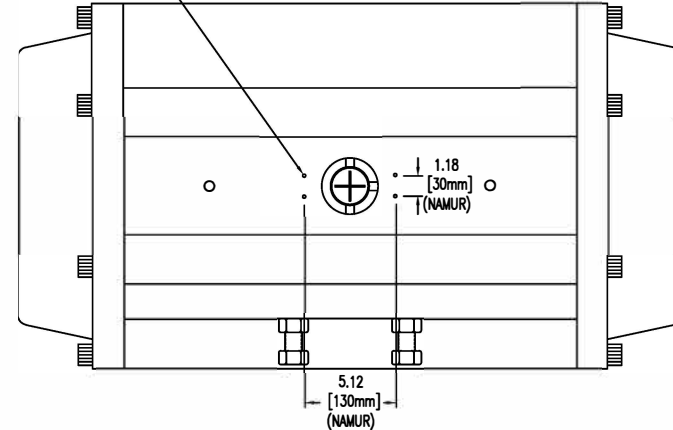
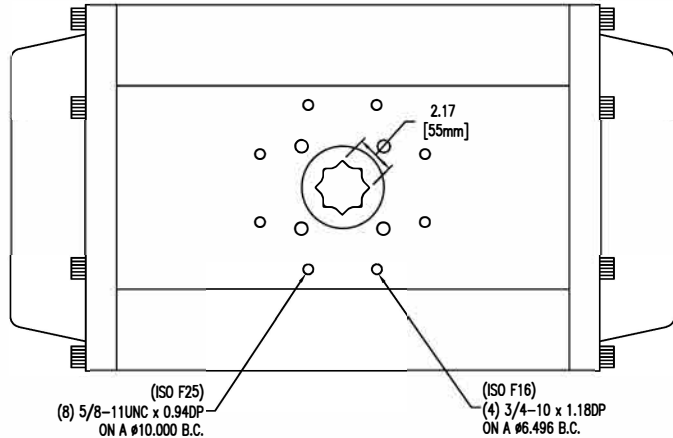
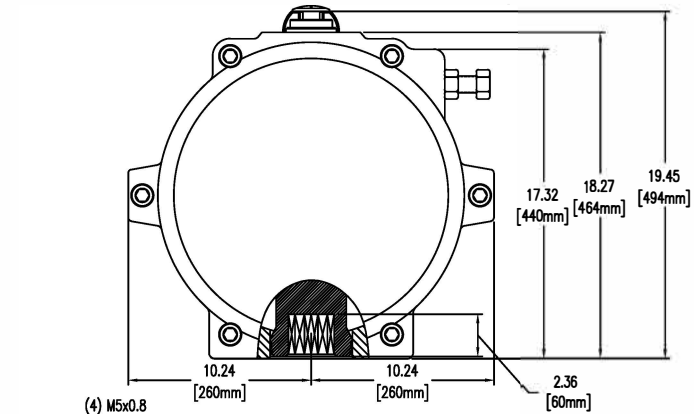
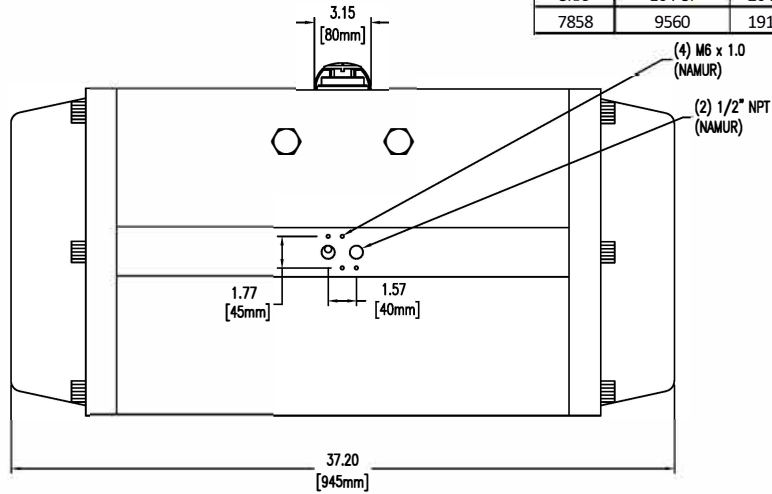
PRODUCT INFORMATION
ACT. SIZE:7858

DIMENSIONS FOR DOUBLE ACTING
AND SPRING RETURN ARE IDENTICAL

WEIGHT: 637lbs + (K x 7.1lbs)
K=2, 4,...12 (K=0 FOR DA)
AIR CONSUMPTION: 115N.lit/cycle

M Series Spring Return Torques (in-lbs)													
UniTorq Size	Spring Designation	Actuator Air Torques										Actuator Spring Torques	
		40 PSI		60 PSI		80 PSI		100 PSI		120 PSI		Start	End
7858	K44	18650	10082	36764	28196	54877	46310	72991	64423	91105	82537	26146	17578
	K55	14255	3546	32369	21659	50483	39773	68597	57887	86710	76001	32682	21972
	K66	-	-	27975	15123	46088	33237	64202	51351	82316	69464	39218	26367
	K77	-	-	23580	8587	41694	26700	59808	44814	77922	62928	45755	30761
	K88	-	-	19186	2050	37299	20164	55413	38278	73527	56392	52291	35156

M Series Double Acting Torques (in-lbs)												
UniTorq Size	Air Supply Pressure											
	10 PSI	20 PSI	30 PSI	40 PSI	50 PSI	60 PSI	70 PSI	80 PSI	90 PSI	100 PSI	110 PSI	120 PSI
7858	9560	19120	28680	38240	47800	57360	66920	76481	86041	95601	105161	114721



DESCRIPTION
**UNITORQ ACTUATORS
"M" SERIES, SIZE 7858
ENVELOPE DIMENSIONS &
NAMUR MOUNTING PATTERNS**

NOTICE:
THIS DRAWING INCLUDES THE DESIGN AND PRINCIPLES DISCLOSED AND IS THE SOLE PROPERTY OF UNITORQ AND ITS AFFILIATES. IT SUBMITTED WITH THE UNDERSTANDING THAT IT IS NOT TO BE REPRODUCED, NOR COPIED IN WHOLE OR IN PART, NOR LOANED OR OTHERWISE COMMUNICATED TO ANY THIRD PARTY, NOR USED IN ANY MANNER DETRIMENTAL TO THE INTERESTS OF UNITORQ OR ANY OF ITS AFFILIATES WITHOUT THE EXPRESSED WRITTEN CONSENT OF UNITORQ. ACCEPTANCE OF THIS DRAWING WILL BE CONSTRUED AS AN AGREEMENT TO THE ABOVE.



2150 Boggs Road, Suite 410
DULUTH, GEORGIA U.S.A. 30096
Ph: 770-446-7074
Fax: 770-447-1825
www.unitorq.com
ISO 9001:2015
CERTIFIED COMPANY
PRI Registrar

PRODUCT ACTUATOR	PART NUMBER M7858	SALES DRAWING NO. M7858 With Torques	DWN BY: KTL	DATE: 08/17/2022	SCALE: N.T.S	REV. 1
----------------------------	-----------------------------	--	-----------------------	----------------------------	------------------------	------------------