

**PRODUCT INFORMATION**  
ACT. SIZE:105

DIMENSIONS FOR DOUBLE ACTING  
AND SPRING RETURN ARE  
IDENTICAL

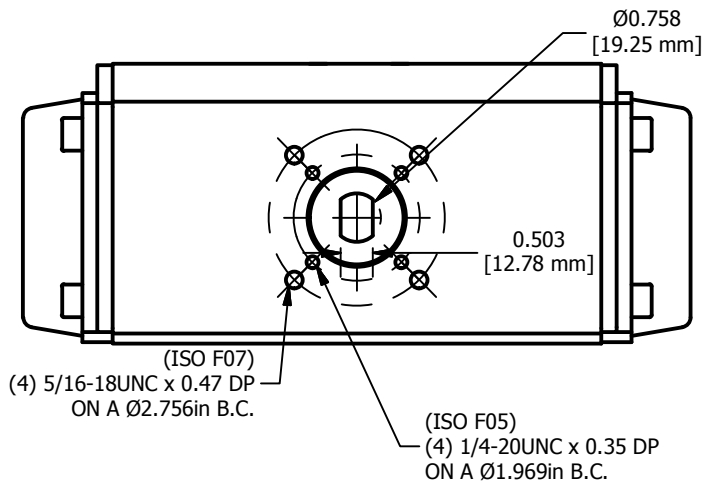
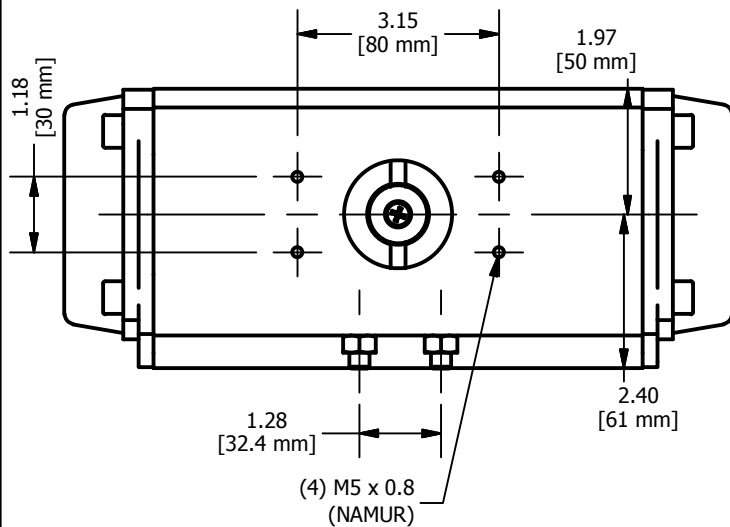
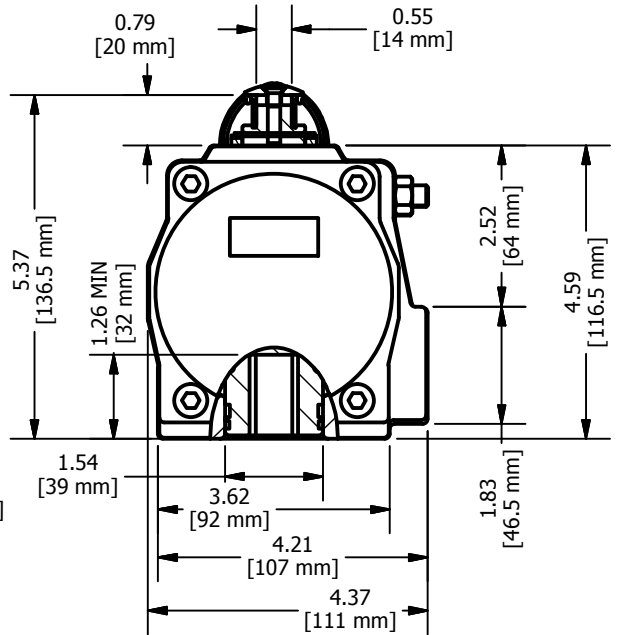
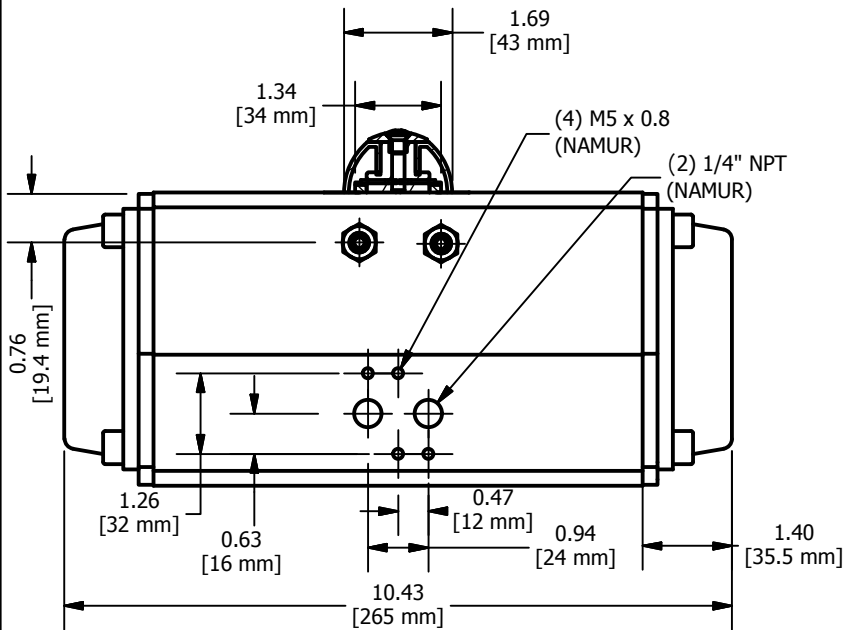
Weight: 10.45lbs + (K x 0.15lbs)  
K = 2,4,.....12 (K = 0 FOR DA)  
AIR CONSUMPTION: 1.43 N.lt/cycle

**Spring Return Torques (in-lbs)**

UniTorq Size	Spring Designation	Actuator Air Torques										Actuator Spring Torques	
		40PSI		60PSI		80PSI		100PSI		120PSI		Start	End
		Start	End	Start	End	Start	End	Start	End	Start	End		
105	K11	460	421	729	690	998	960	1267	1229	1536	1498	117	79
	K22	381	304	650	573	919	843	1189	1112	1458	1381	234	157
	K33	303	187	572	456	841	726	1110	995	1379	1264	351	236
	K44	224	70	493	339	762	609	1031	878	1301	1147	468	314
	K55	-	-	415	222	684	492	953	761	1222	1030	585	393
	K66	-	-	336	105	605	374	874	644	1143	913	702	471

**Double Acting Torques (in-lbs)**

UniTorq Size	Air Supply Pressure									
	30PSI	40PSI	50PSI	60PSI	70PSI	80PSI	90PSI	100PSI	110PSI	120PSI
105	408	544	680	816	952	1088	1224	1360	1496	1632



DESCRIPTION  
**UNITORQ ACTUATORS "U"  
 SERIES, SIZE 105 ENVELOPE  
 DIMENSIONS & NAMUR  
 MOUNTING PATTERNS**

NOTICE:  
 THIS DRAWING INCLUDES THE DESIGN AND PRINCIPLES  
 DISCLOSED AND IS THE SOLE PROPERTY OF UNITORQ AND  
 ITS AFFILIATES. IT SUBMITTED WITH THE UNDERSTANDING  
 THAT IT IS NOT TO BE REPRODUCED, NOR COPIED IN  
 WHOLE OR IN PART, NOR LOANED OR OTHERWISE  
 COMMUNICATED TO ANY THIRD PARTY, NOR USED IN ANY  
 MANNER DETRIMENTAL TO THE INTERESTS OF UNITORQ  
 OR ANY OF ITS AFFILIATES WITHOUT THE EXPRESSED  
 WRITTEN CONSENT OF UNITORQ. ACCEPTANCE OF THIS  
 DRAWING WILL BE CONSTRUED AS AN AGREEMENT TO THE  
 ABOVE.



2150 Boggs Road, Suite 410  
 DULUTH, GEORGIA U.S.A. 30096  
 Ph: 770-446-7074  
 Fax: 770-447-1825  
 www.unitorq.com



PRODUCT: ACTUATOR	PART NUMBER: U105	SALES DRAWING NUMBER: U105-LAYOUT-TQ	DWN BY: KTL	DATE: 08/17/2022	SCALE: N.T.S	REV. 0
----------------------	----------------------	---	----------------	---------------------	-----------------	-----------