

**PRODUCT INFORMATION**  
ACT. SIZE:157

DIMENSIONS FOR DOUBLE ACTING  
AND SPRING RETURN ARE  
IDENTICAL

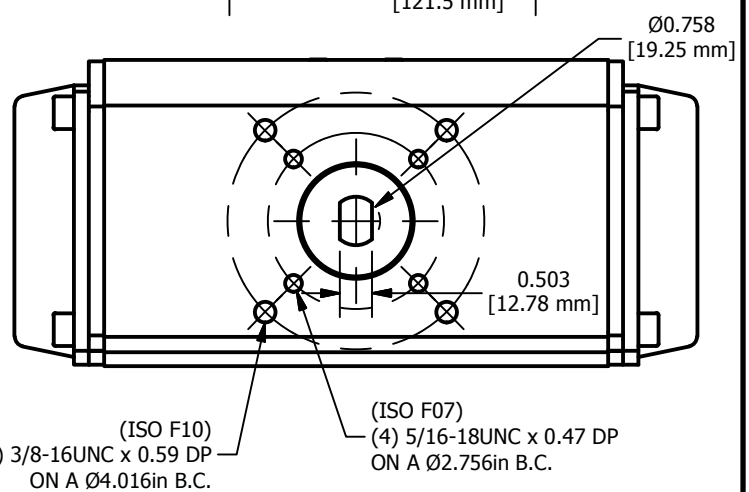
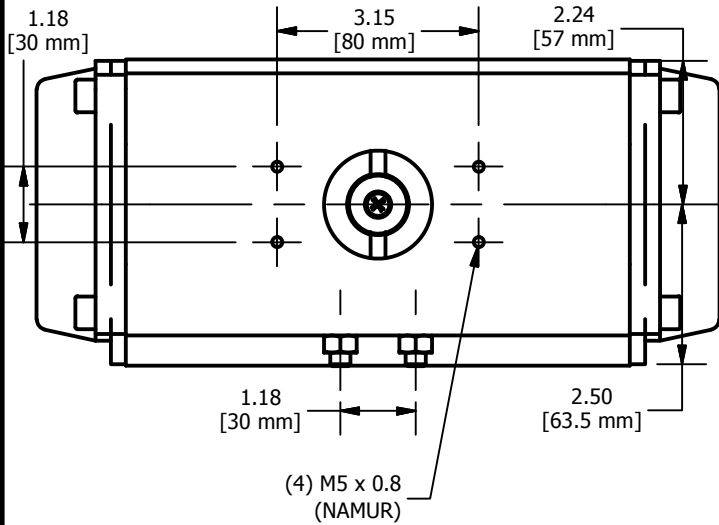
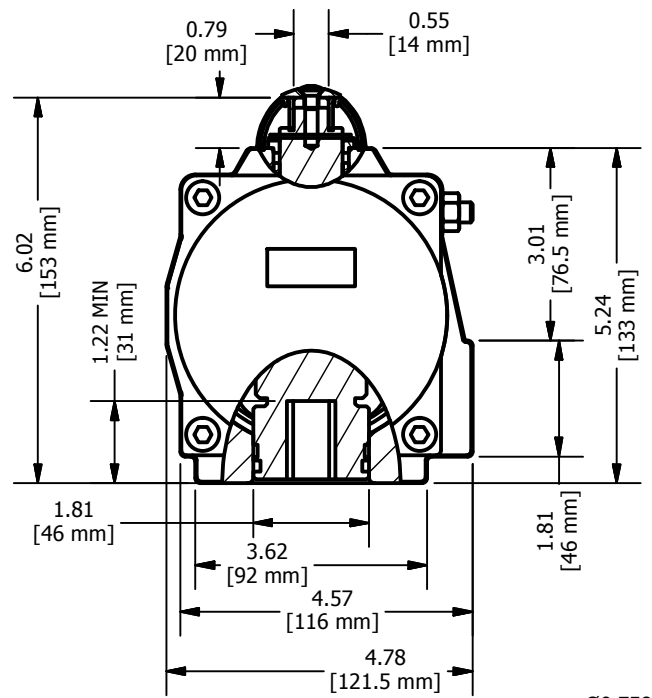
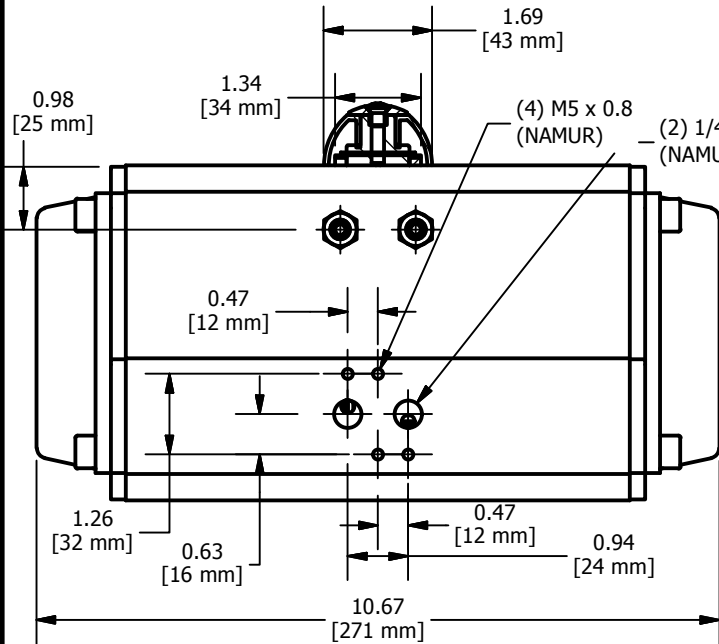
WEIGHT: 13.25lbs + (K x 0.15lbs)  
K = 2, 4, ...12 (K=0 FOR DA)  
AIR CONSUMPTION: 1.96 N.lit/cycle

**Spring Return Torques (in-lbs)**

UniTorq Size	Spring Designation	Actuator Air Torques										Actuator Spring Torques	
		40PSI		60PSI		80PSI		100PSI		120PSI		Start	End
		Start	End	Start	End	Start	End	Start	End	Start	End		
157	K11	673	611	1062	1001	1452	1391	1841	1780	2231	2170	168	107
	K22	566	444	956	833	1345	1223	1735	1612	2124	2002	335	213
	K33	459	276	849	666	1239	1055	1628	1445	2018	1834	503	320
	K44	353	109	742	498	1132	888	1522	1277	1911	1667	671	426
	K55	-	-	636	330	1025	720	1415	1110	1805	1499	838	533
	K66	-	-	529	163	919	552	1309	942	1698	1331	1006	639

**Double Acting Torques (in-lbs)**

UniTorq Size	Air Supply Pressure									
	30PSI	40PSI	50PSI	60PSI	70PSI	80PSI	90PSI	100PSI	110PSI	120PSI
157	590	787	984	1181	1377	1574	1771	1968	2165	2361



**DESCRIPTION**

**UNITORQ ACTUATORS "U"  
SERIES, SIZE 157 ENVELOPE  
DIMENSIONS & NAMUR  
MOUNTING PATTERNS**

**NOTICE:**  
THIS DRAWING INCLUDES THE DESIGN AND PRINCIPLES  
DISCLOSED AND IS THE SOLE PROPERTY OF UNITORQ AND  
ITS AFFILIATES. IT IS SUBMITTED WITH THE UNDERSTANDING  
THAT IT IS NOT TO BE REPRODUCED, NOR COPIED IN  
WHOLE OR IN PART, NOR LOANED OR OTHERWISE  
COMMUNICATED TO ANY THIRD PARTY, NOR USED IN ANY  
MANNER DETRIMENTAL TO THE INTERESTS OF UNITORQ  
OR ANY OF ITS AFFILIATES WITHOUT THE EXPRESSED  
WRITTEN CONSENT OF UNITORQ. ACCEPTANCE OF THIS  
DRAWING WILL BE CONSTRUED AS AN AGREEMENT TO THE  
ABOVE.



2150 Boggs Road, Suite 410  
DULUTH, GEORGIA U.S.A. 30096  
Ph: 770-446-7074  
Fax: 770-447-1825  
www.unitorq.com



PRODUCT:  
**ACTUATOR**

PART NUMBER:  
**U157**

SALES DRAWING NUMBER:  
**U157-LAYOUT-TQ**

DWN BY: **KTL** DATE: **08/17/2022**

SCALE:  
**N.T.S**

REV.  
**0**