

PRODUCT INFORMATION
ACT. SIZE = 406

DIMENSIONS FOR DOUBLE ACTING
AND SPRING RETURN ARE
IDENTICAL

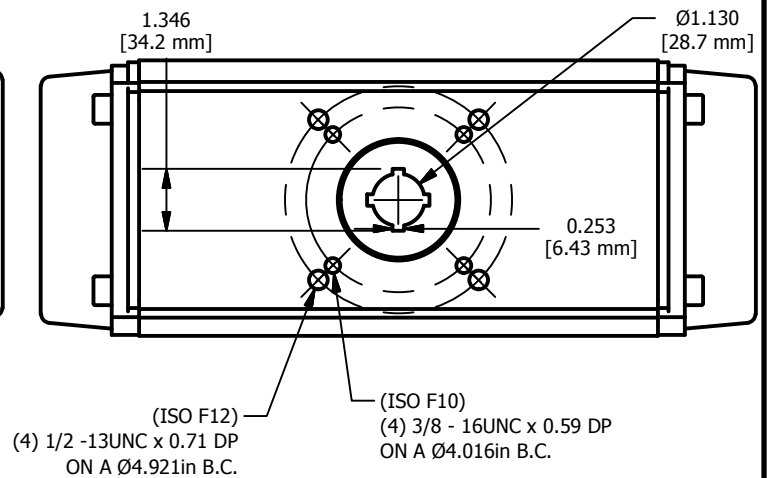
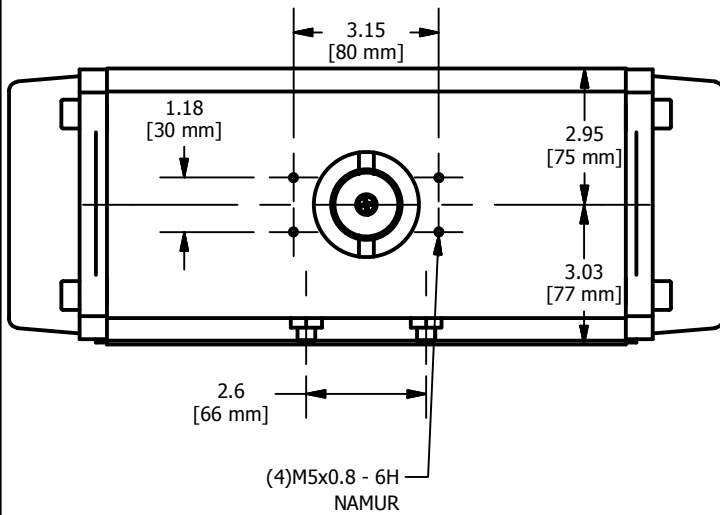
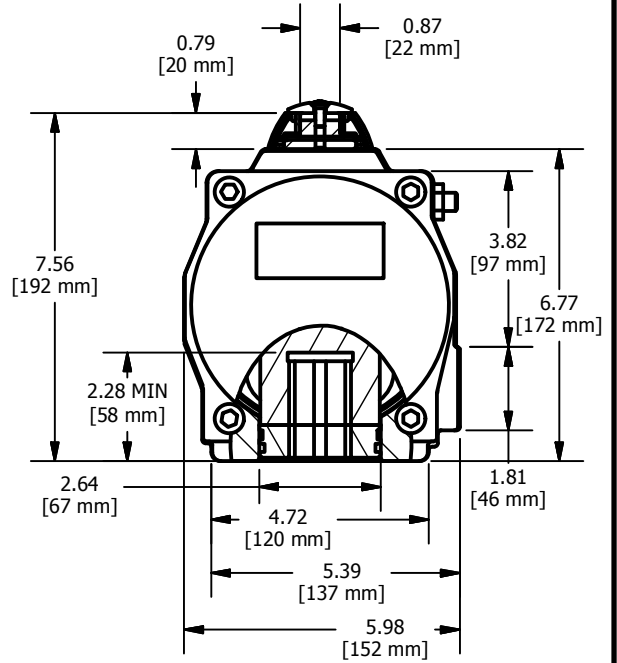
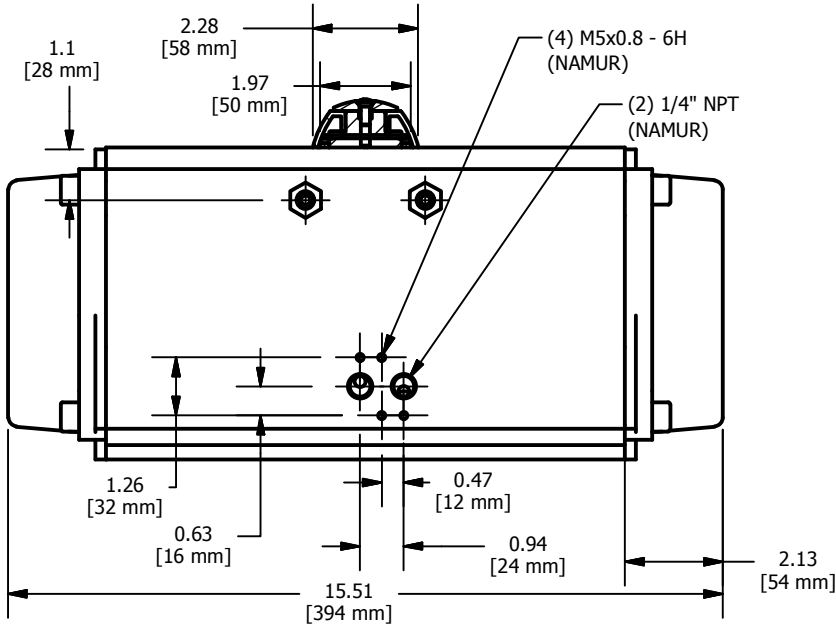
WEIGHT: 30.05lbs + (K x 0.45lbs)
K = 2, 4,...12 (K = 0 FOR DA)
AIR CONSUMPTION: 5.36 N.lit/cycle

Spring Return Torques (in-lbs)

| UniTorq Size | Spring Designation | Actuator Air Torques | | | | | | | | | | Actuator Spring Torques | |
|--------------|--------------------|----------------------|------|-------|------|-------|------|--------|------|--------|------|-------------------------|------|
| | | 40PSI | | 60PSI | | 80PSI | | 100PSI | | 120PSI | | Start | End |
| | | Start | End | Start | End | Start | End | Start | End | Start | End | | |
| 406 | K11 | 1745 | 1596 | 2763 | 2614 | 3780 | 3631 | 4797 | 4648 | 5815 | 5666 | 438 | 289 |
| | K22 | 1456 | 1158 | 2473 | 2175 | 3491 | 3193 | 4508 | 4210 | 5525 | 5227 | 877 | 579 |
| | K33 | 1166 | 720 | 2184 | 1737 | 3201 | 2754 | 4219 | 3772 | 5236 | 4789 | 1315 | 868 |
| | K44 | 877 | 281 | 1894 | 1298 | 2912 | 2316 | 3929 | 3333 | 4946 | 4351 | 1754 | 1158 |
| | K55 | - | - | 1605 | 860 | 2622 | 1877 | 3640 | 2895 | 4657 | 3912 | 2192 | 1447 |
| | K66 | - | - | 1316 | 422 | 2333 | 1439 | 3350 | 2456 | 4368 | 3474 | 2630 | 1737 |

Double Acting Torques (in-lbs)

| UniTorq Size | Air Supply Pressure | | | | | | | | | | |
|--------------|---------------------|-------|-------|-------|-------|-------|-------|--------|--------|--------|--|
| | 30PSI | 40PSI | 50PSI | 60PSI | 70PSI | 80PSI | 90PSI | 100PSI | 110PSI | 120PSI | |
| 406 | 1526 | 2035 | 2543 | 3052 | 3561 | 4069 | 4578 | 5087 | 5595 | 6104 | |



DESCRIPTION

**UNITORQ ACTUATORS "U"
SERIES, SIZE 406 ENVELOPE
DIMENSIONS & NAMUR
MOUNTING PATTERNS**

NOTICE:

THIS DRAWING INCLUDES THE DESIGN AND PRINCIPLES DISCLOSED AND IS THE SOLE PROPERTY OF UNITORQ AND ITS AFFILIATES. IT IS SUBMITTED WITH THE UNDERSTANDING THAT IT IS NOT TO BE REPRODUCED, NOR COPIED IN WHOLE OR IN PART, NOR LOANED OR OTHERWISE COMMUNICATED TO ANY THIRD PARTY, NOR USED IN ANY MANNER DETRIMENTAL TO THE INTERESTS OF UNITORQ OR ANY OF ITS AFFILIATES WITHOUT THE EXPRESSED WRITTEN CONSENT OF UNITORQ. ACCEPTANCE OF THIS DRAWING WILL BE CONSTRUED AS AN AGREEMENT TO THE ABOVE.



2150 Boggs Road, Suite 410
DULUTH, GEORGIA U.S.A. 30096
Ph: 770-446-7074
Fax: 770-447-1825
www.unitorq.com



| | | | | | | |
|------------------------------|-----------------------------|--|-----------------------|----------------------------|------------------------|------------------|
| PRODUCT: ACTUATORS | PART NUMBER: U406 | SALES DRAWING NUMBER: U406-LAYOUT-TQ | DWN BY: KTL | DATE: 08/17/2022 | SCALE: N.T.S | REV. 0 |
|------------------------------|-----------------------------|--|-----------------------|----------------------------|------------------------|------------------|