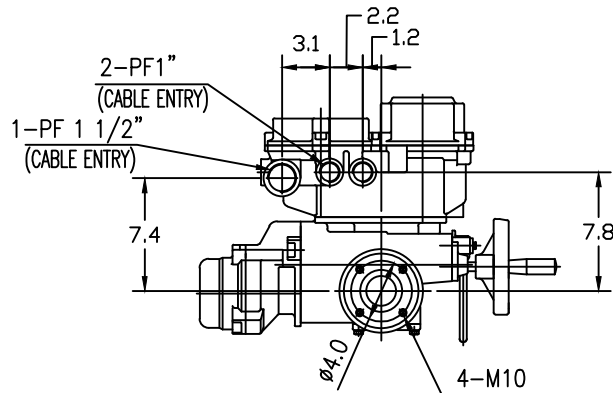
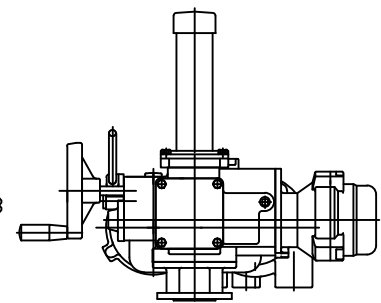
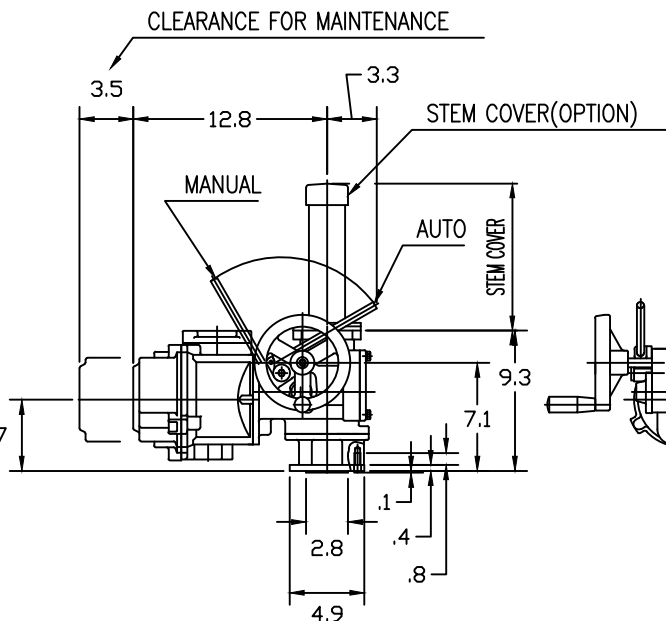
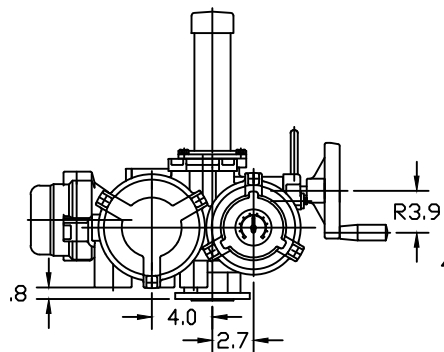
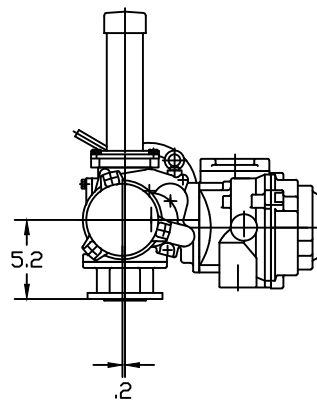
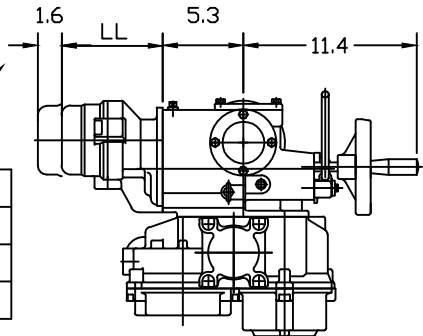




CLEARANCE FOR MAINTENANCE

Output	LL	Weight (lbs)
0.2 kW	8.07	About 75
0.4 kW	8.07	About 77
0.75 kW	8.74	About 86

Max. Stem Dia.	
Bore and Key	Threaded
Ø1.33	Ø1.57



DESCRIPTION <b>UNITORQ MULTITURN ELECTRIC ACTUATOR UTM-01 BASIC</b>		NOTICE: THIS DRAWING INCLUDES THE DESIGN AND PRINCIPLES DISCLOSED AND IS THE SOLE PROPERTY OF UNITORQ AND ITS AFFILIATES. IT SUBMITTED WITH THE UNDERSTANDING THAT IT IS NOT TO BE REPRODUCED, NOR COPIED IN WHOLE OR IN PART, NOR LOANED OR OTHERWISE COMMUNICATED TO ANY THIRD PARTY, NOR USED IN ANY MANNER DETRIMENTAL TO THE INTERESTS OF UNITORQ OR ANY OF ITS AFFILIATES WITHOUT THE EXPRESSED WRITTEN CONSENT OF UNITORQ. ACCEPTANCE OF THIS DRAWING WILL BE CONSTRUED AS AN AGREEMENT TO THE ABOVE.		  REGISTERED FIRM ISO 9001:2008		2150 Boggs Road, Suite 410 DULUTH, GEORGIA U.S.A. 30096 Ph: 770-446-7074 Fax: 770-447-1825 www.untorq.com	
PRODUCT	PART NUMBER	SALES DRAWING NO.	DWN BY:	DATE:	SCALE:	REV.	
MULTITURN ACTUATOR	VARIES	UTM-01 BASIC	PMK	11/11/2013	N.T.S.	0	