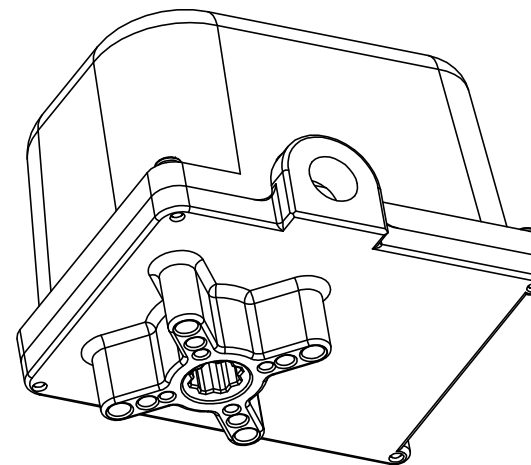


- ISO F03 (1.417 B.C.D.)  
#10-32 X 3/8" DEEP
- ISO F05 (1.969 B.C.D.)  
1/4-20 X 3/8" DEEP
- ISO F07 (2.756 B.C.D.)  
5/16-18 X 1/2" DEEP



DESCRIPTION

**UTQ 6.4  
ELECTRIC ACTUATOR  
FEMALE ISO DRIVE  
ENVELOPE DIMENSIONS**

NOTICE:  
THIS DRAWING INCLUDES THE DESIGN AND PRINCIPLES DISCLOSED AND IS THE SOLE PROPERTY OF UNITORQ AND ITS AFFILIATES. IT SUBMITTED WITH THE UNDERSTANDING THAT IT IS NOT TO BE REPRODUCED, NOR COPIED IN WHOLE OR IN PART, NOR LOANED OR OTHERWISE COMMUNICATED TO ANY THIRD PARTY, NOR USED IN ANY MANNER DETRIMENTAL TO THE INTERESTS OF UNITORQ OR ANY OF ITS AFFILIATES WITHOUT THE EXPRESSED WRITTEN CONSENT OF UNITORQ. ACCEPTANCE OF THIS DRAWING WILL BE CONSTRUED AS AN AGREEMENT TO THE ABOVE.



2150 Boggs Road, Suite 410  
DULUTH, GEORGIA U.S.A. 30096  
Ph: 770-446-7074  
Fax: 770-447-1825  
www.untorq.com

PRODUCT <b>ELECTRIC ACTUATOR</b>	PART NUMBER <b>UTQ 6.4</b>	SALES DRAWING NO. <b>UTQ 6.4 STANDARD</b>	DWN BY: <b>PMK</b>	DATE: <b>04/16/2014</b>	SCALE: <b>N.T.S.</b>	REV. <b>0</b>
-------------------------------------	-------------------------------	--	-----------------------	----------------------------	-------------------------	------------------